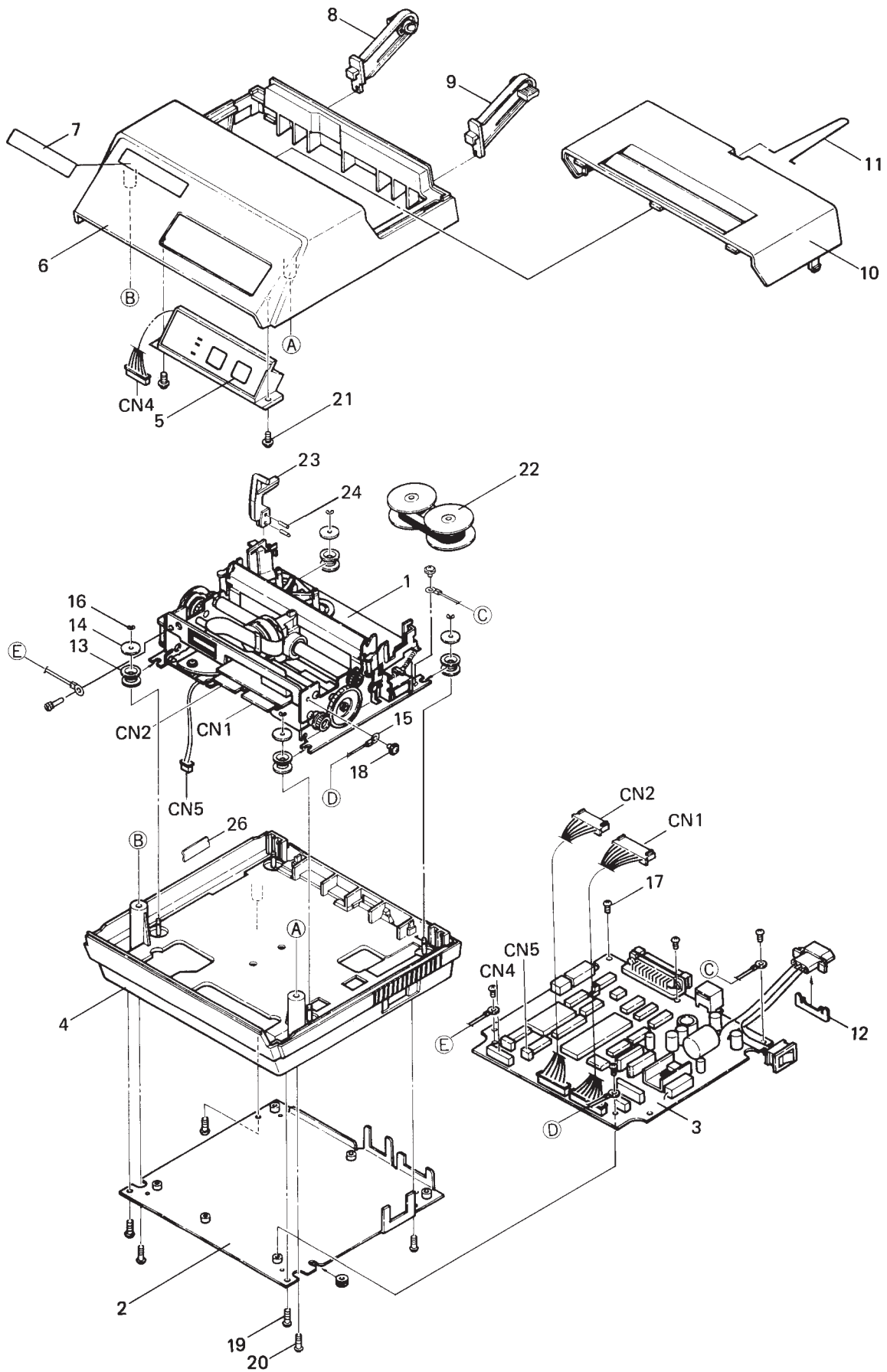


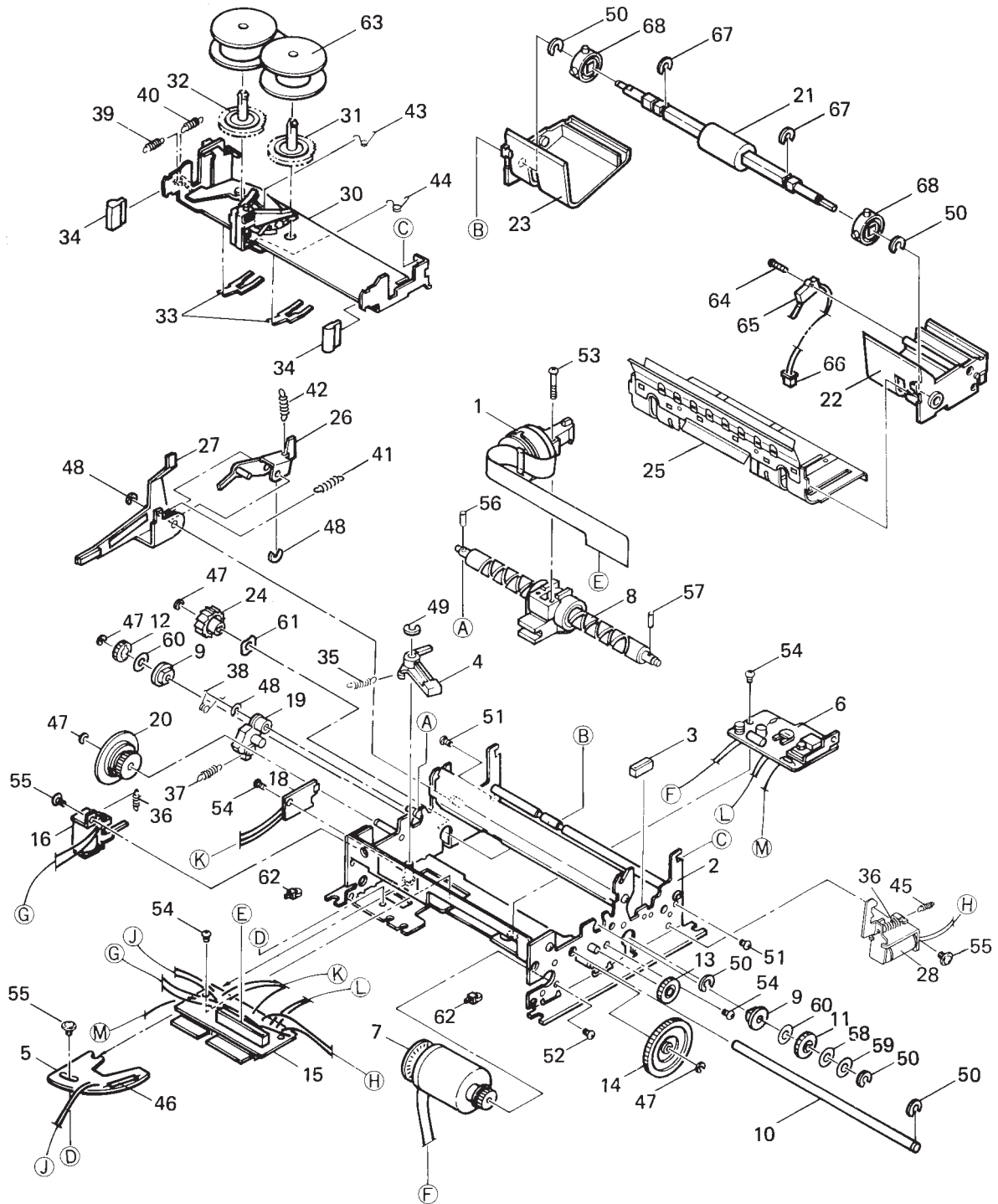
# 1. Printer Assembly

## 1-1. Disassembly Drawing

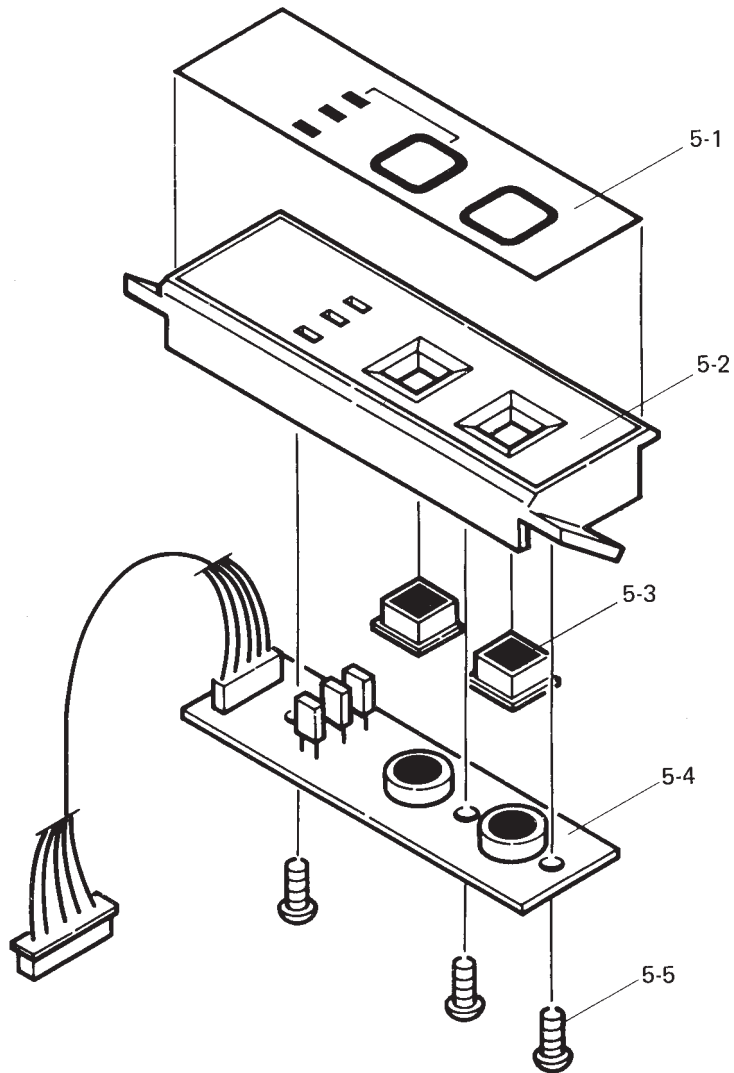


### 3. Printer Mechanism DP834P-12(S-Type)

#### 3-1. Disassembly Drawing



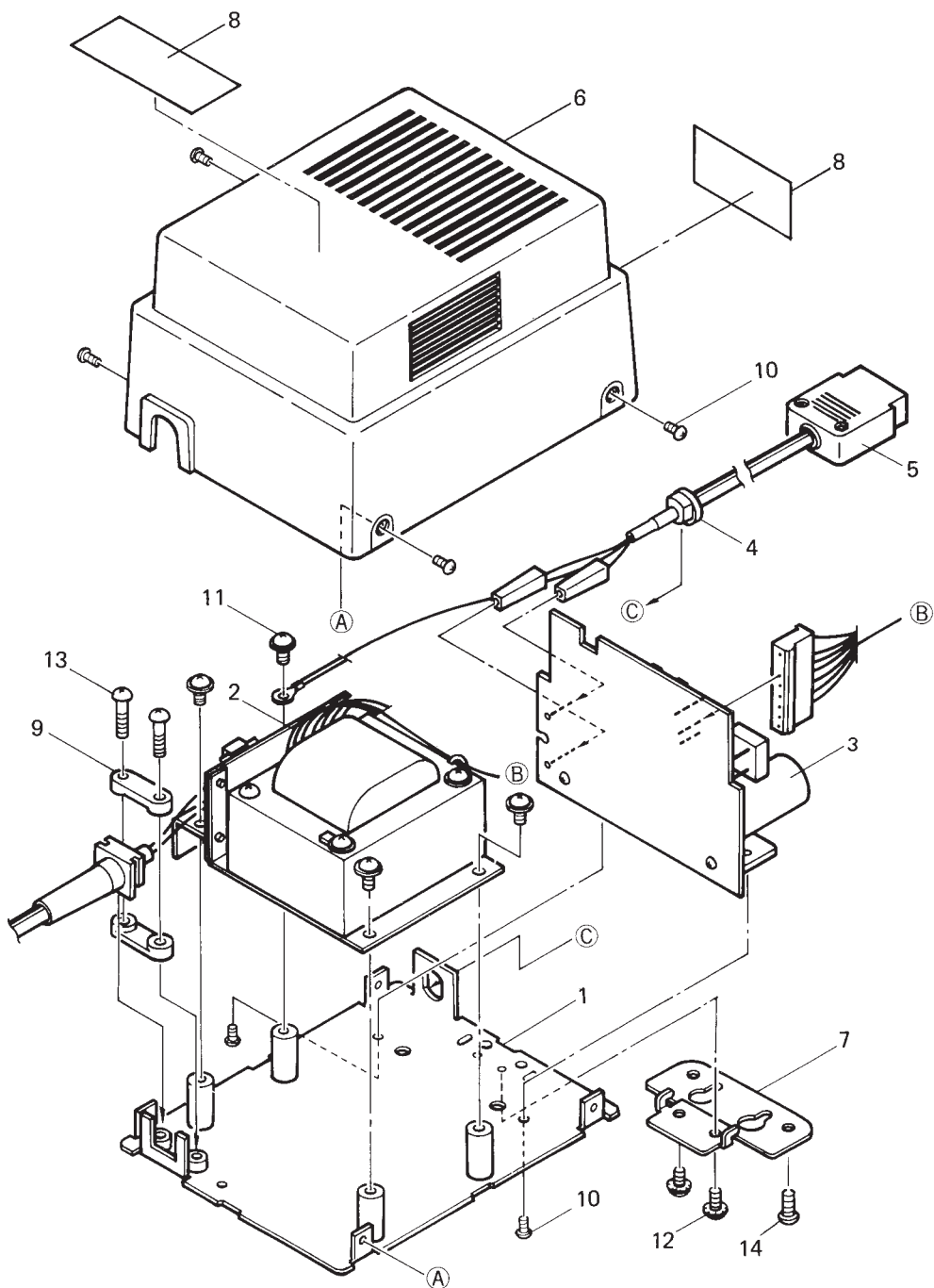
#### 4. Control Panel Unit



DRWG.NO.	REV.	PARTS NO.	PARTS NAME	Q'TY	REMARKS	RANK
5-1		80034980	OPERATION SHEET 8340	1		
5-2		83022040	SWITCH HOLDER 8340	1		
5-3	*2	83900600	SWITCH ACTUATOR SR-10	2		
	#2	83900601	SWITCH ACTUATOR SR-10	2		S
5-4		87200610	CONTROL PANEL BOARD ASSY 8340	1		S
5-5		00930803	SCREW TAT 3-8 PT	3		S

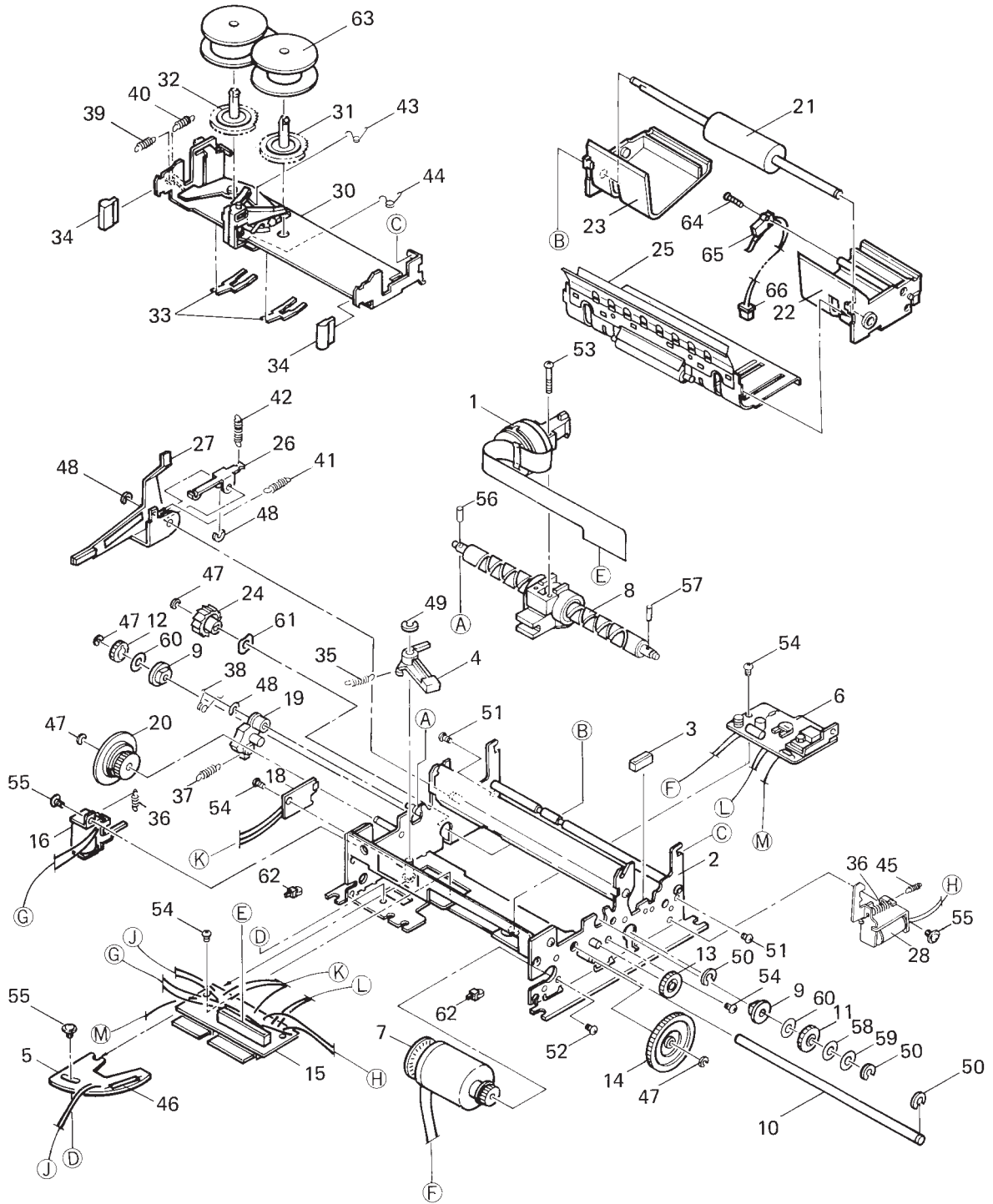
## 5. Power Supply Unit AD8340 (1)

### 5-1. Disassembly Drawing



## 2. Printer Mechanism DP834P-12(F-Type)

### 2-1. Disassembly Drawing



# 6. Power Supply Unit AD8340 (3)

## 6-1. Disassembly Drawing

