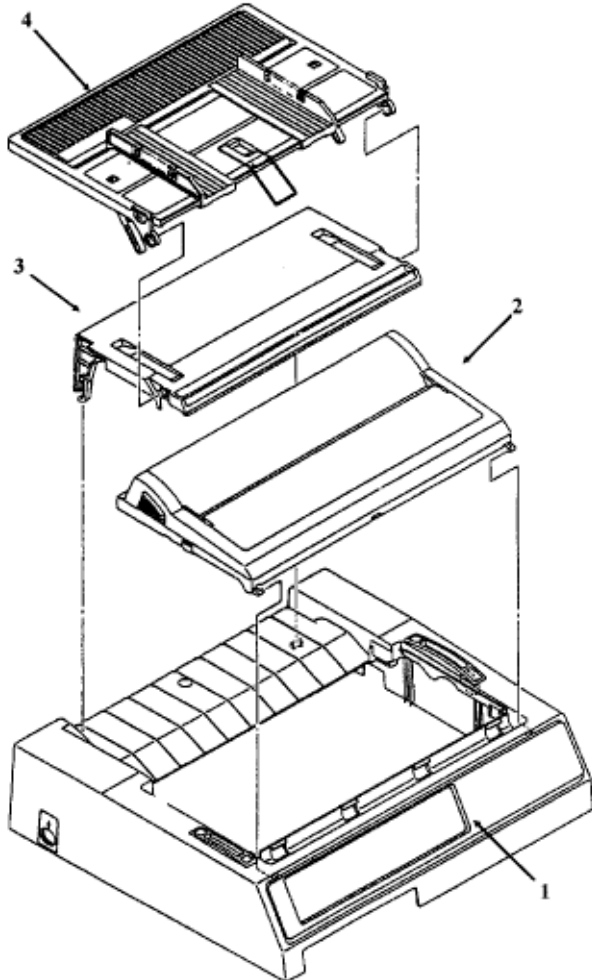


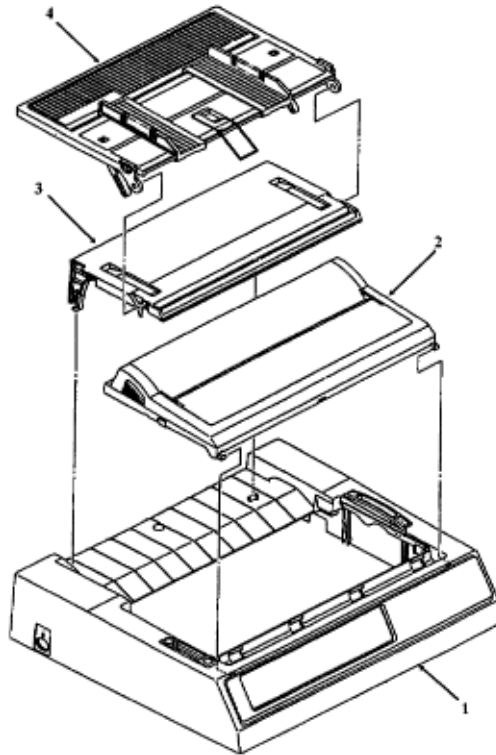
B.2.01 Covers - Rev A, B, and C

Part numbers are subject to change.

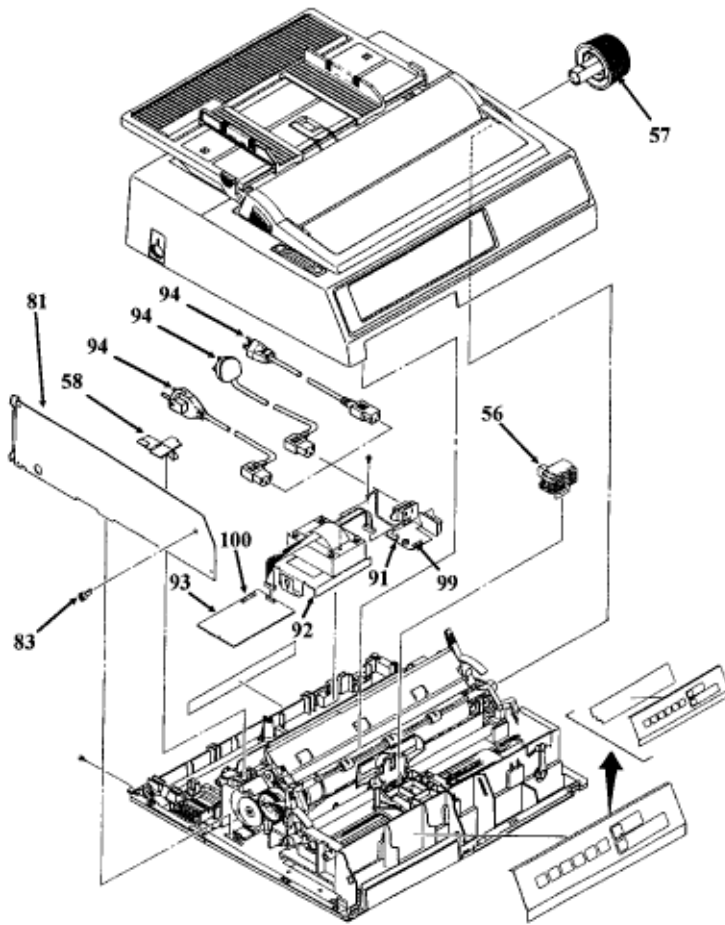


B.2.02 Covers - Rev D

Part numbers are subject to change.

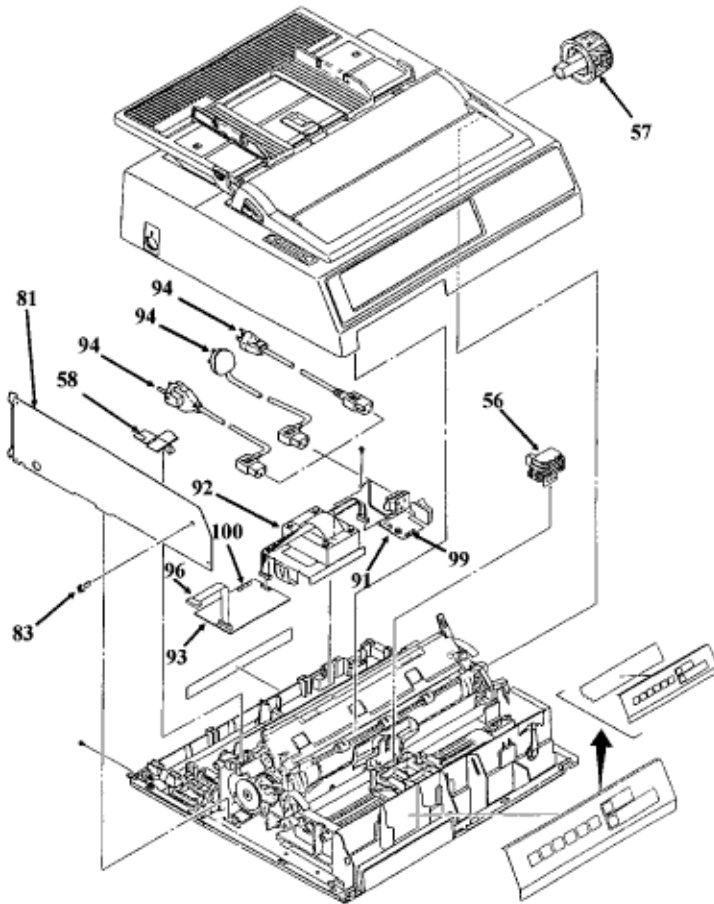


B.2.03 Electrical Components - Rev A and B



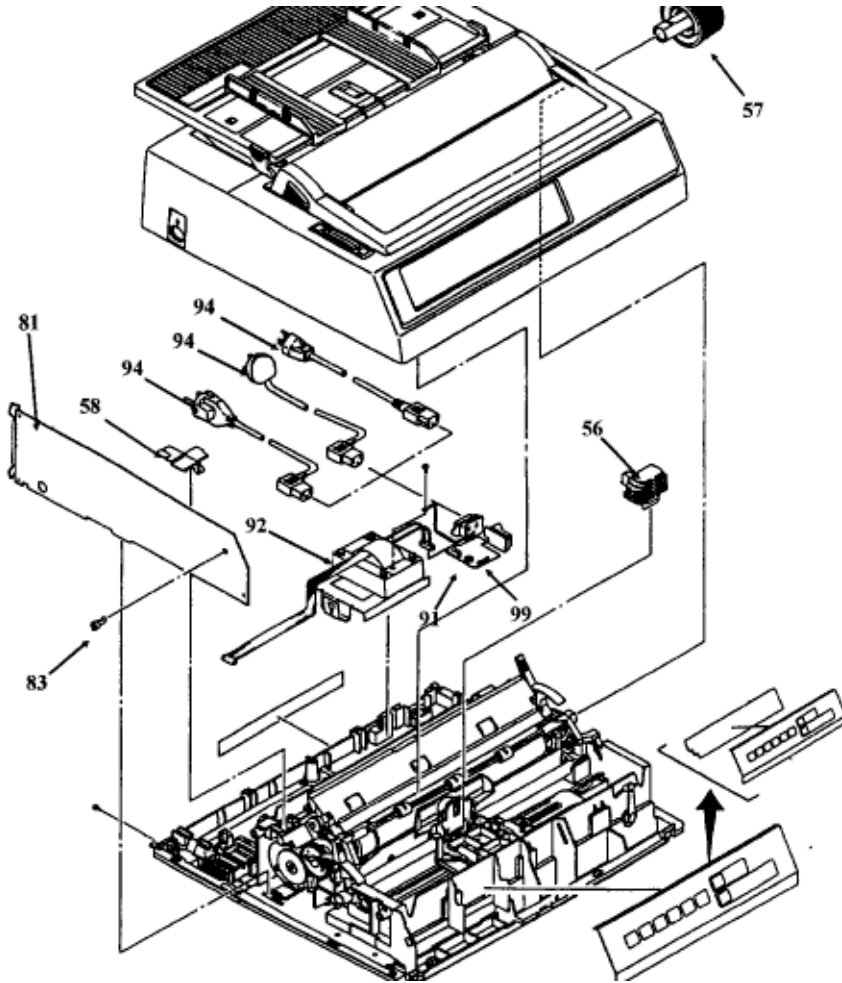
B.2.04 Electrical Components - Rev C

Part numbers are subject to change.



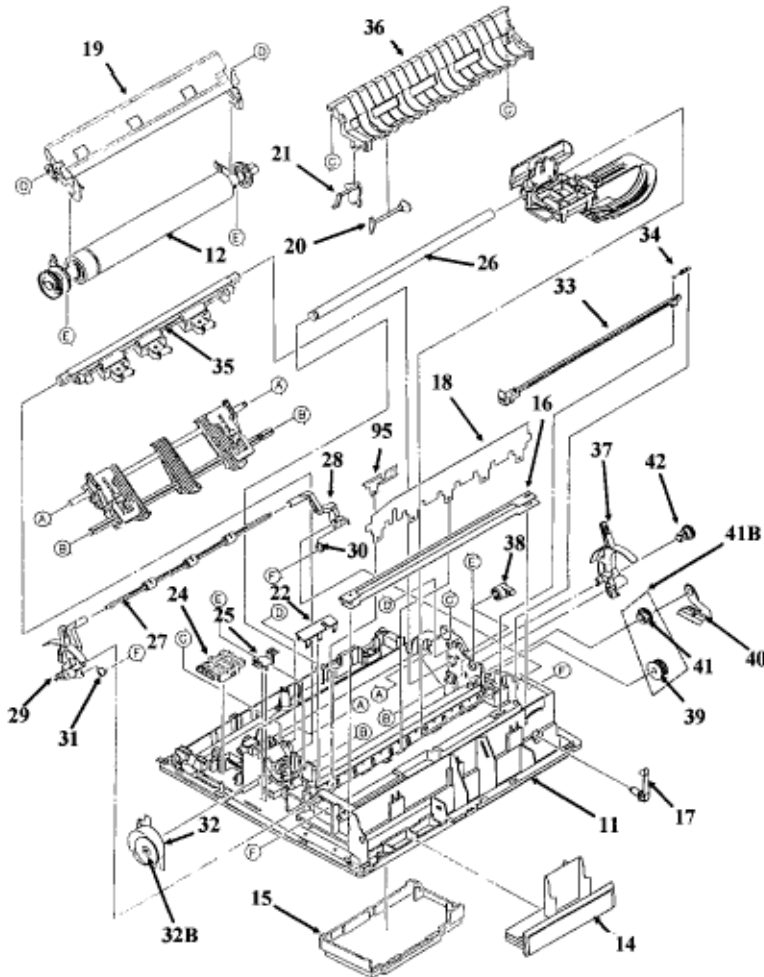
B.2.05 Electrical Components - Rev D

Part numbers are subject to change.



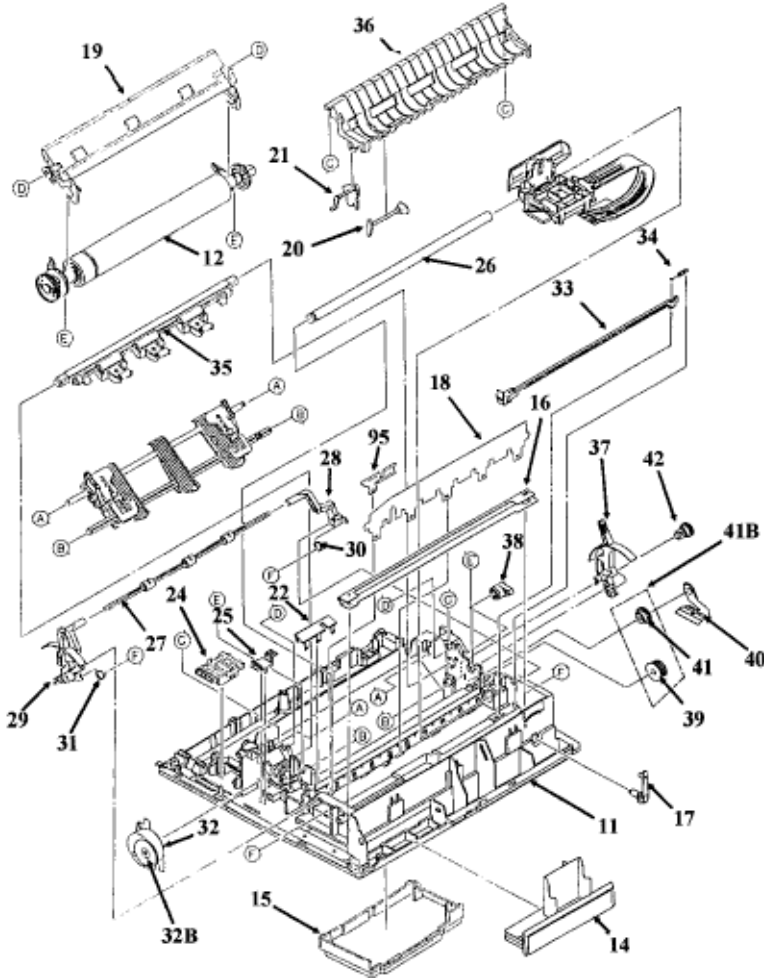
B.2.06 Printer Mechanism - Rev A and B (1 of 2)

Part numbers are subject to change.



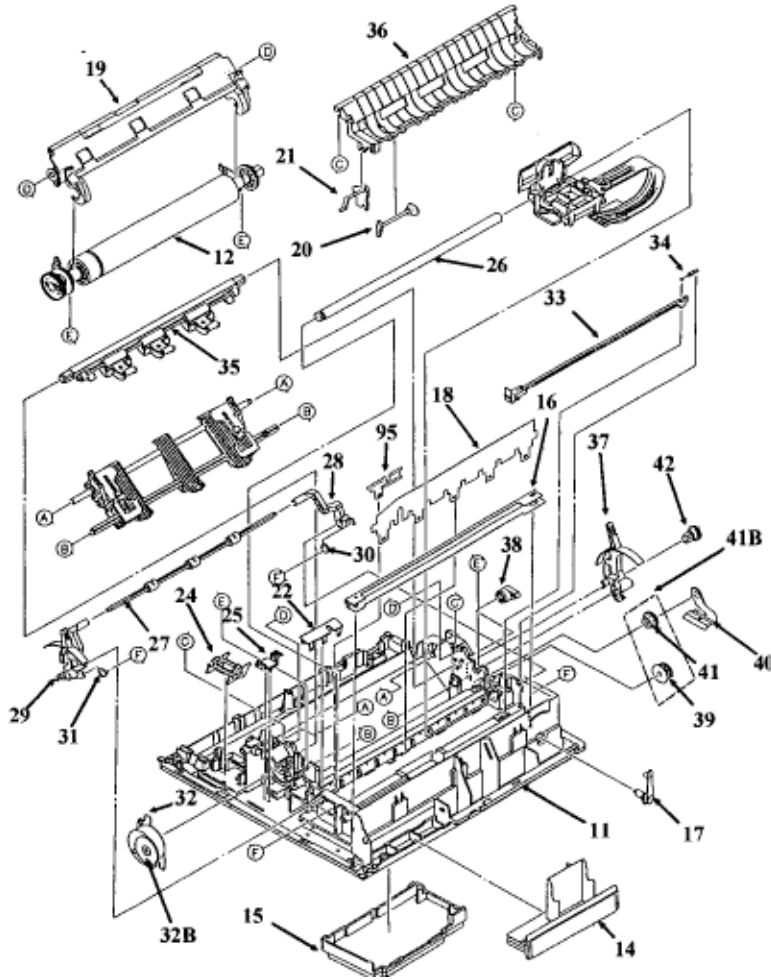
B.2.07 Printer Mechanism - Rev A and B (2 of 2)

Part numbers are subject to change.



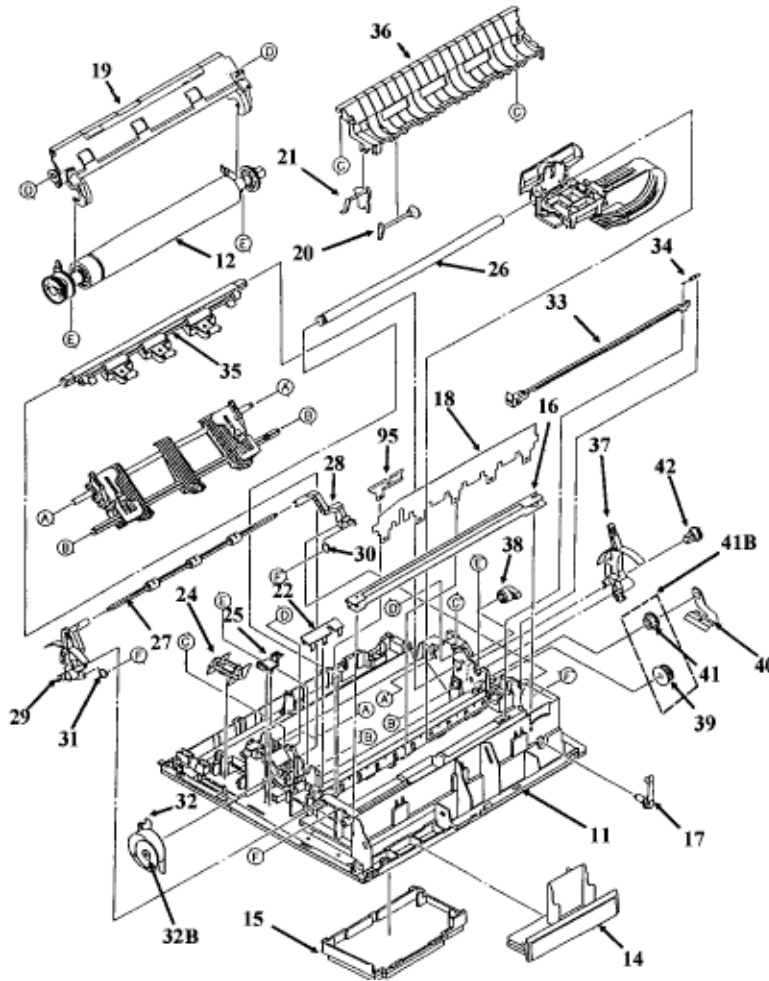
B.2.08 Printer Mechanism - Rev C (1 of 2)

Part numbers are subject to change.



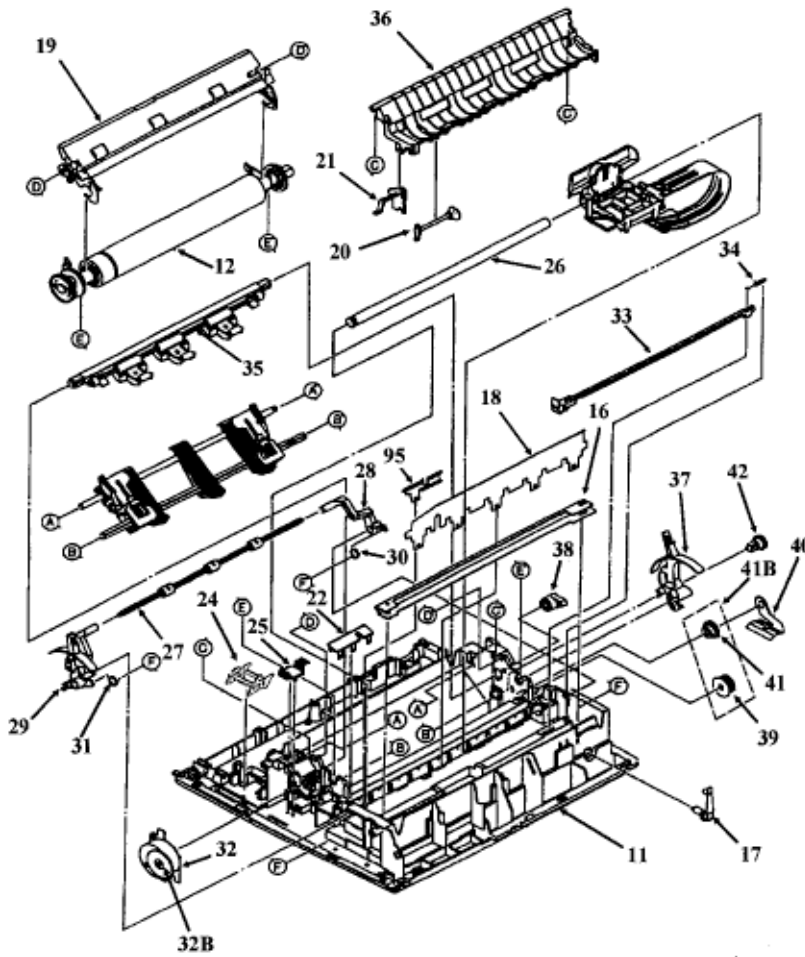
B.2.09 Printer Mechanism - Rev C (2 of 2)

Part numbers are subject to change.



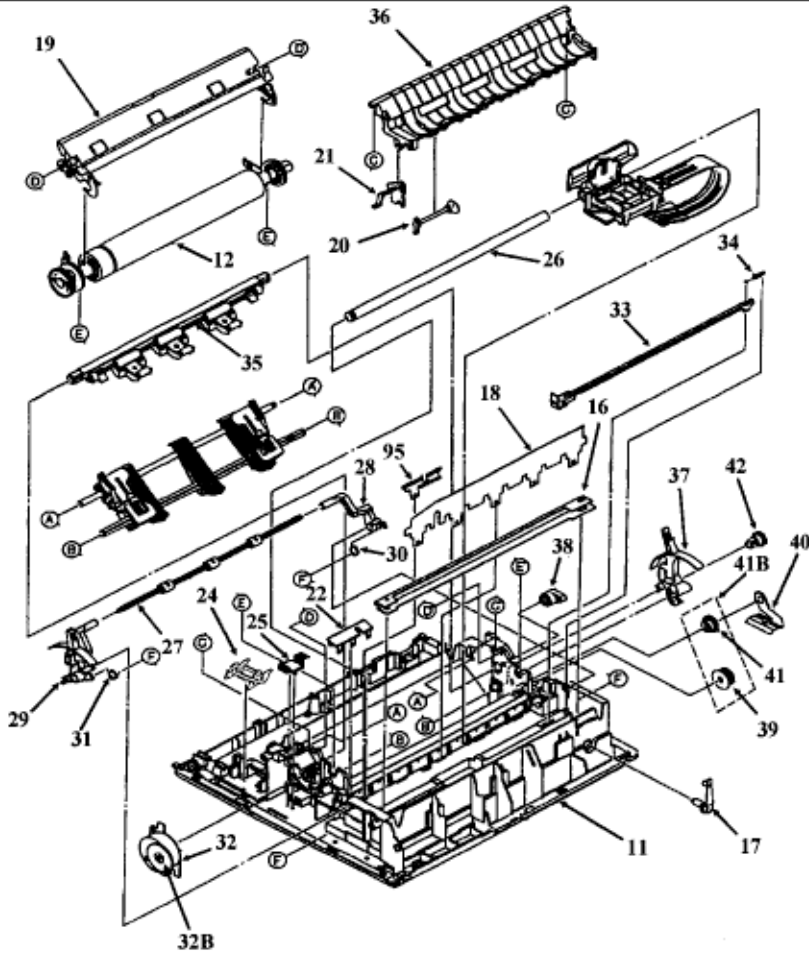
B.2.10 Printer Mechanism - Rev D (1 of 2)

Part numbers are subject to change.



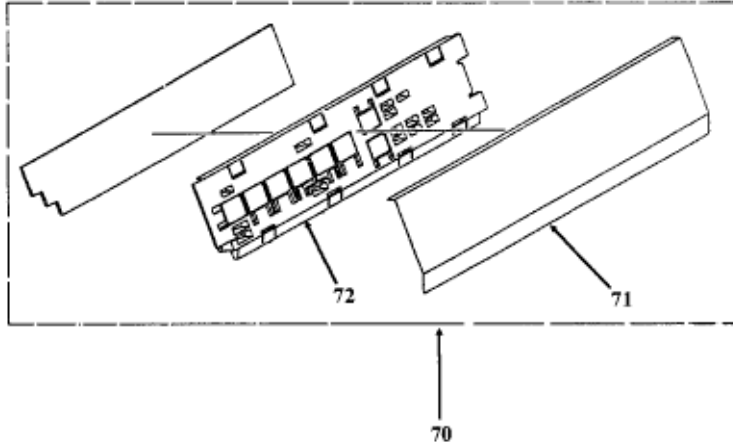
B.2.11 Printer Mechanism - Rev D (2 of 2)

Part numbers are subject to change.



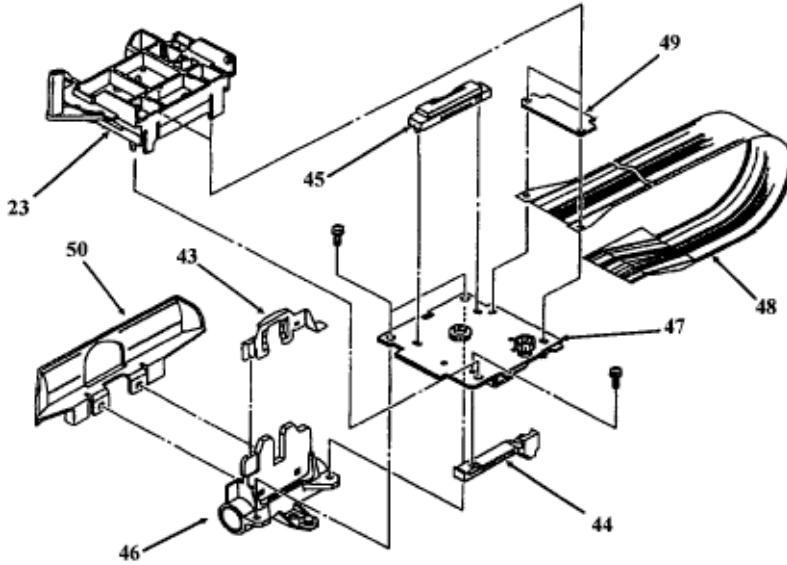
B.2.12 Operator Panel - Rev A, B, C, and D

Part numbers are subject to change.



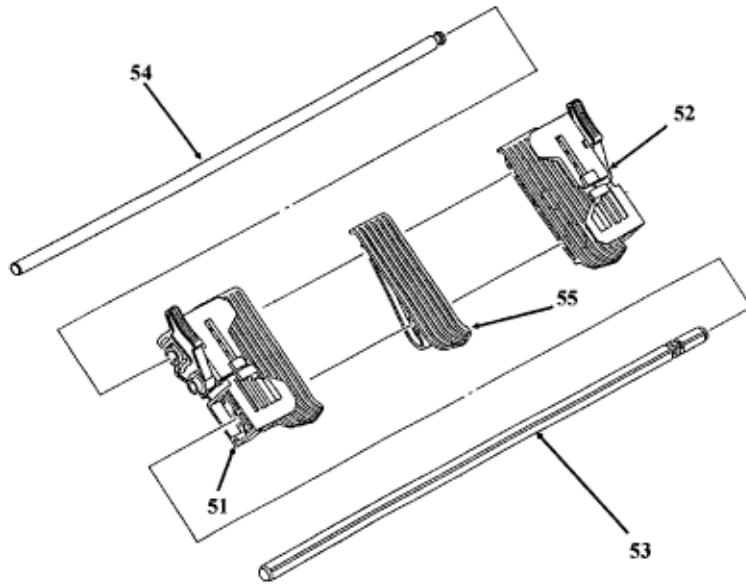
B.2.13 Carriage Assembly - Rev A, B, C, and D

Part numbers are subject to change.



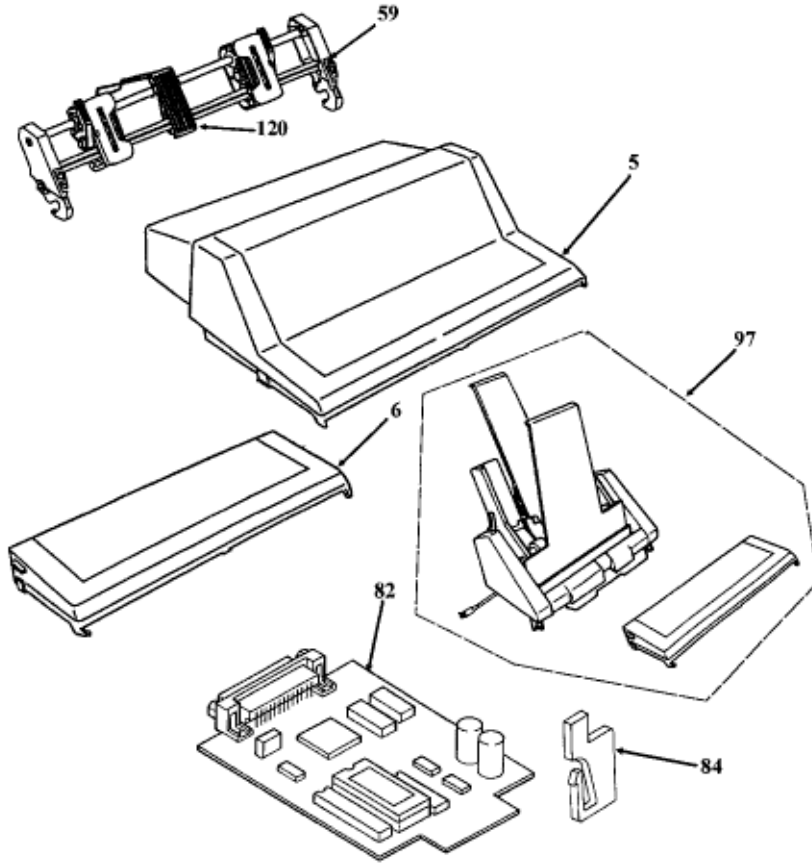
B.2.14 Tractor Assembly - Rev A, B, C, and D

Part numbers are subject to change.



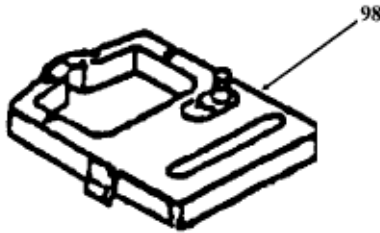
B.2.15 Options - Rev A, B, C, and D

Part numbers are subject to change.



B.2.16 Consumables - Rev A, B, C, and D

Part numbers are subject to change.



B.2.17 Packaging - Rev A, B, C, and D

Part numbers are subject to change.

