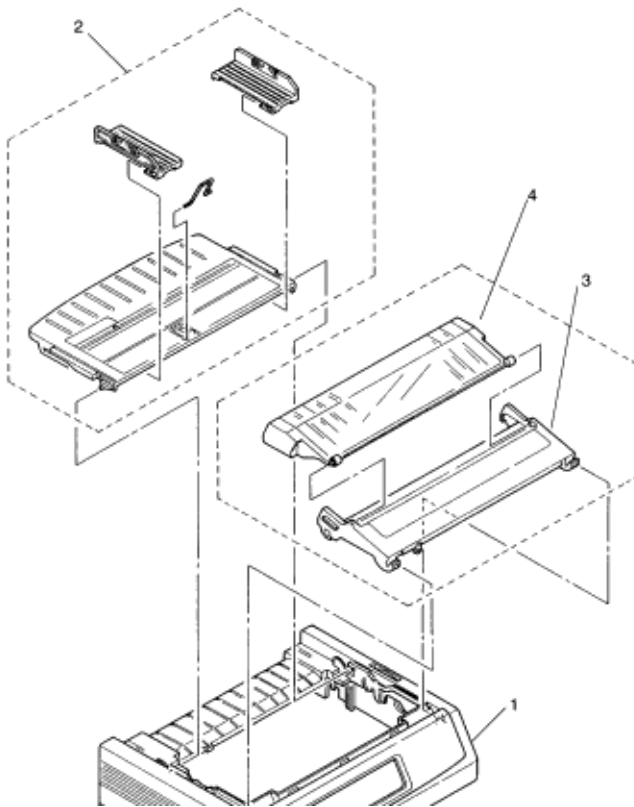


**Figure 11-1 Upper Cover Assy**



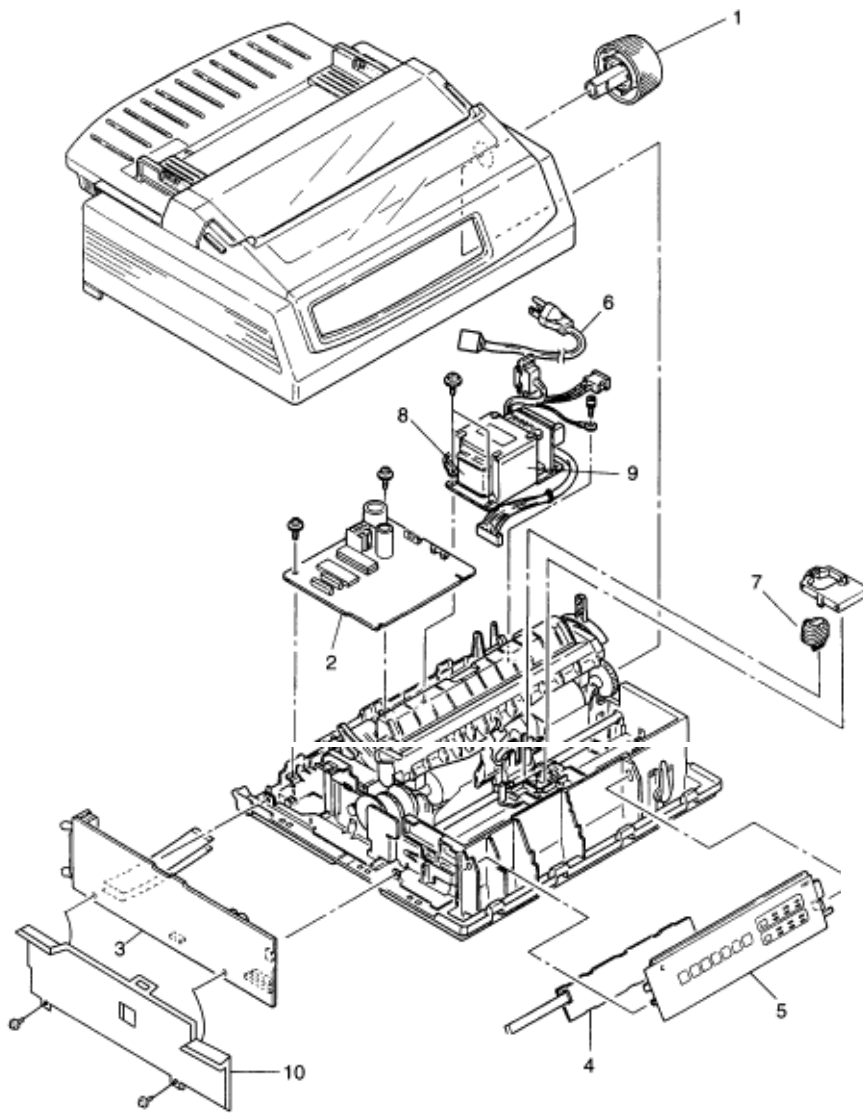
| No. | Part No.       | Description     | Qty | Qty Reqd | Remarks         | ODA P/N  |
|-----|----------------|-----------------|-----|----------|-----------------|----------|
| 1   | 1PP4128-1186P6 | Upper cover (N) | 1   | 2        | For ML320 Turbo | For INT  |
|     | 1PP4128-1186P4 | Upper cover (N) | 1   | 2        | For ML320 Turbo | For OEL  |
|     | 1PP4128-1186P2 | Upper cover (N) | 1   | 2        | For ML320 Turbo | 53076502 |
|     | 1PP4128-1231P6 | Upper cover (W) | 1   | 2        | For ML321 Turbo | For INT  |
|     | 1PP4128-1231P4 | Upper cover (W) | 1   | 2        | For ML321 Turbo | For OEL  |
|     | 1PP4128-1231P2 | Upper cover (W) | 1   | 2        | For ML321 Turbo | 53076602 |

|   |                 |                       |   |   |                 |          |
|---|-----------------|-----------------------|---|---|-----------------|----------|
| 2 | 1PA4094-7305G10 | Sheet guide assy (N)  | 1 | 2 | For ML320 Turbo | 51009409 |
|   | 1PA4094-7308G11 | Sheet guide assy (W)  | 1 | 2 | For ML321 Turbo | 51009510 |
| 3 | 2PA4128-1237G1  | Access cover assy (N) | 1 | 2 | For ML320 Turbo | 53076701 |
|   | 2PA4128-1241G1  | Access cover assy (W) | 1 | 2 | For ML321 Turbo | 53076801 |
| 4 | 1PP4128-1188P1  | Acoustic cover (N)    | 1 | 2 | For ML320 Turbo | 53076901 |
|   | 1PP4128-1233P1  | Acoustic cover (W)    | 1 | 2 | For ML321 Turbo | 53077001 |

---

Copyright 1997, Okidata, Division of OKI America, Inc. All rights reserved. See the OKIDATA Business Partner Exchange (BPX) for any updates to this material. (<http://bpx.okidata.com>)

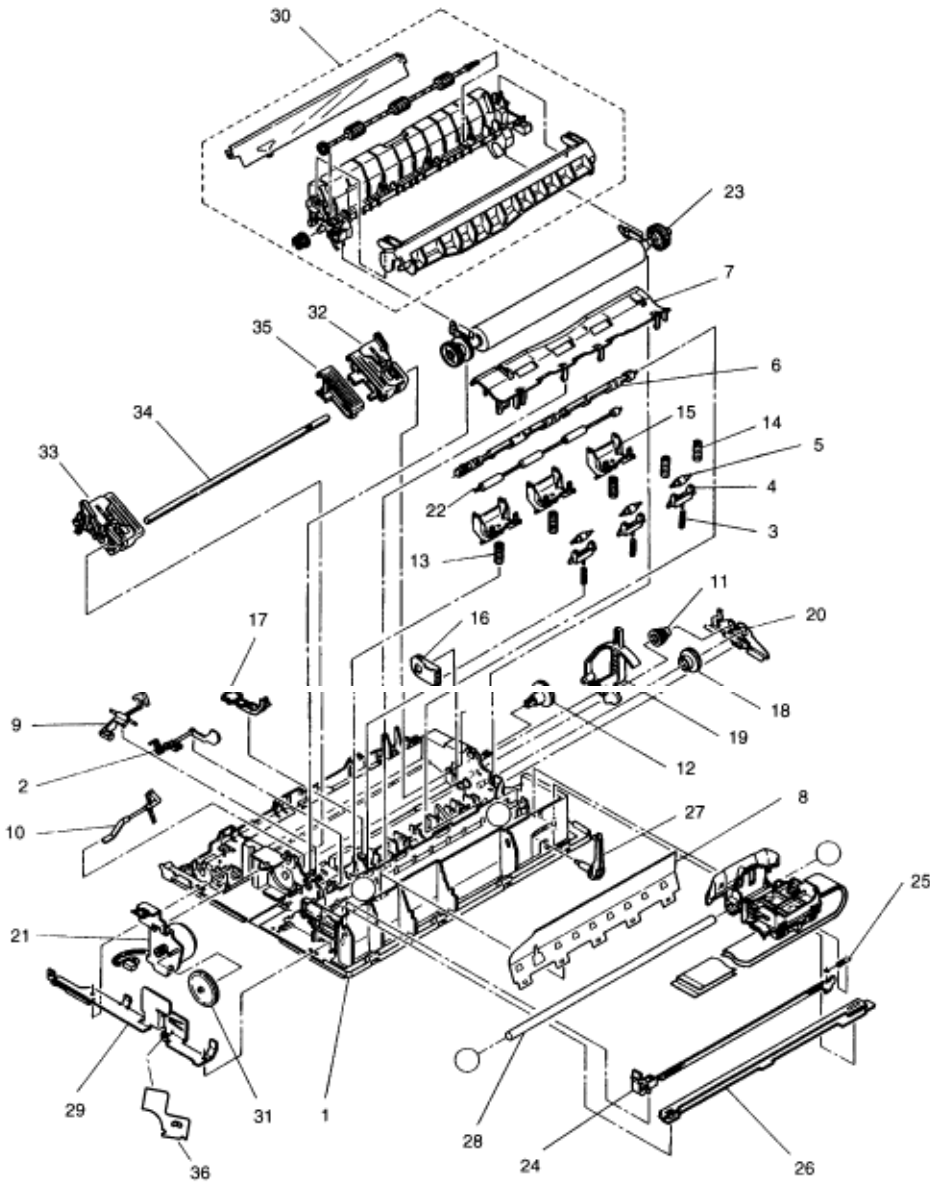
Figure 11-2 Printer General Assy



| No | Part No. | Description | Q'ty | Q'ty Req | Remarks | ODA P/N |
|----|----------|-------------|------|----------|---------|---------|
|----|----------|-------------|------|----------|---------|---------|

|    |                  |   |   |    |                |          |
|----|------------------|---|---|----|----------------|----------|
| 1  | 2PP4025-2871P20  | Platen Knob                             | 1 | 1  |                | 51902220 |
| 2  | 4YA4042-1543G301 | Control/power supply board (SDCT)       | 1 | 9  | For ODA/no ROM | 55080801 |
|    | 4YA4042-1543G302 | Control/power supply board (SDCT)       | 1 | 9  | For OEL        |          |
|    | 4YA4042-1543G303 | Control/power supply board (SDCT)       | 1 | 9  | For INT        |          |
| 3  | 4YA4042-1549G1   | Driver board (SDDV)                     | 1 | 9  | ROM            | 55080701 |
| 4  | 4YA4042-1516G3   | Operator panel board (LEOP-3)           | 1 | 3  |                | 55081103 |
| 5  | 3PP4044-5360G1   | Operation panel w/frame assy            | 1 | 2  |                | 50221901 |
| 6  | 3YS4011-1315P1   | AC cord                                 | 1 | 1  | For ODA        | 56609701 |
|    | 3YS4011-1266P1   | AC cord                                 | 1 | 1  | For OEL        |          |
|    | 3YS4011-1329P2   | AC cord A                               | 1 | 1  | For INT        |          |
|    | 3YS4011-1269P1   | AC cord for 230V                        | 1 | 1  |                |          |
| 7  | 4YA4023-3301G1   | Printhead (9)                           | 1 | 10 |                | 50114601 |
| 8  | 4YB4042-1553P1   | Fuse 237002 (125V 2A)                   | 1 | 10 | For 120V       |          |
|    | 4YB4042-1552P1   | Fuse 217001 (250V 1A)                   | 1 | 10 | For 230/240V   | 56307301 |
| 9  | 4YB4049-7103P1   | Transformer assy (ML320 Turbo 120V)     | 1 | 2  |                | 56415301 |
|    | 4YB4049-7104P1   | Transformer assy (ML320 Turbo 230/240V) | 1 | 2  |                |          |
|    | 4YB4049-7104P2   | Transformer assy (ML321 Turbo 230/240V) | 1 | 2  |                |          |
| 10 | 3PB4050-3429P2   | PCB plate                               | 1 | 2  | For 230V       | ODA, OEL |
|    |                  |   |   |    |                |          |

Figure 11-3 Printer Unit



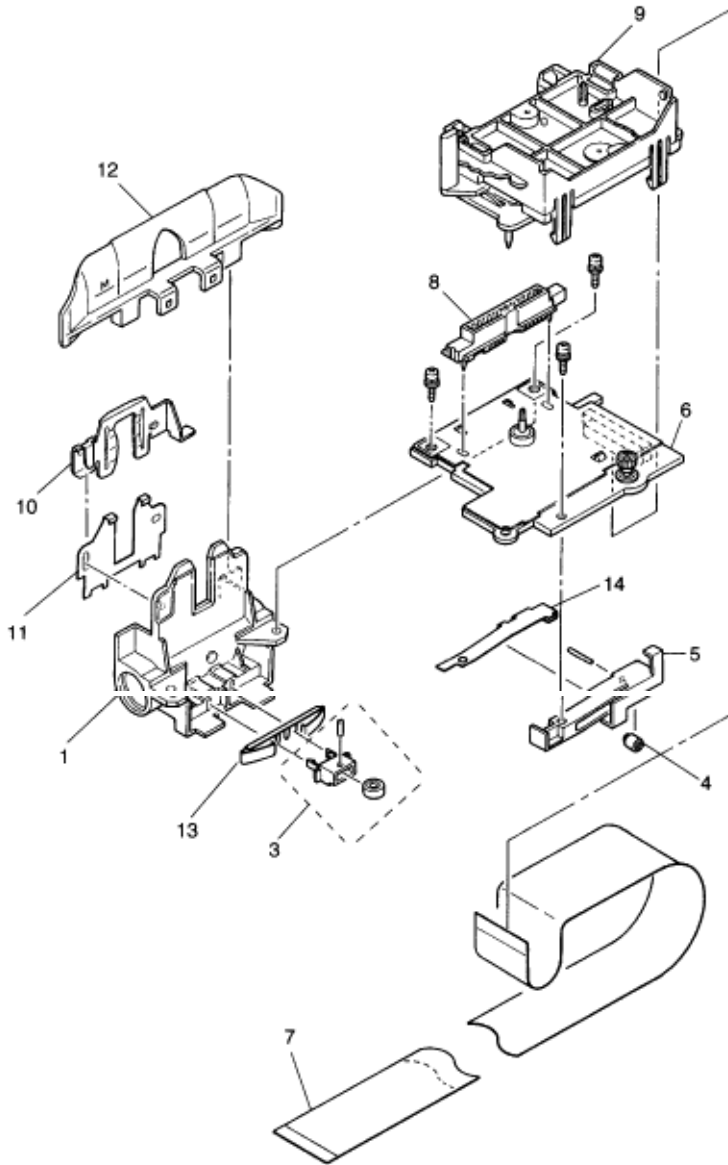
| No. | Part No.       | Description                  | Q'ty | Q'ty Required | Remarks         | ODA P/N  |
|-----|----------------|------------------------------|------|---------------|-----------------|----------|
| 1   | 3PA4044-5002G2 | Main chassis assy (N)        | 1    | 2             | For ML320 Turbo | 53348801 |
|     | 53348801       | Main chassis assy (W)        | 1    | 2             | For ML321 Turbo | 53348901 |
| 2   | 3PP4044-5012P1 | Bottom paper end lever       | 1    | 1             |                 | 50809201 |
| 3   | 4PP4044-5019P1 | Pressure spring (F)          | 3    | 2             | For ML320 Turbo | 50931301 |
|     | 4PP4044-5019P2 | Pressure spring (F)          | 5    | 4             | For ML321 Turbo | 50931302 |
| 4   | 4PP4044-5031P1 | Roller holder (F)            | 3    | 6             | For ML320 Turbo | 53349001 |
|     |                |                              | 5    | 8             | For ML321 Turbo | 53349001 |
| 5   | 4PA4025-3327G2 | Front pressure roller assy   | 3    | 6             | For ML320 Turbo | 50410901 |
|     |                |                              | 5    | 8             | For ML321 Turbo | 50410901 |
| 6   | 3PP4044-5015P1 | Front release gear shaft (N) | 1    | 2             | For ML320 Turbo | 51114001 |
|     | 3PP4044-5157P1 | Front release gear shaft (W) | 1    | 2             | For ML321 Turbo | 51114101 |
| 7   | 1PP4044-5021P1 | Paper pan plate (N)          | 1    | 2             | For ML320 Turbo | 53399201 |
|     | 1PP4044-5158P1 | Paper pan plate (W)          | 1    | 2             | For ML321 Turbo | 53349301 |
| 8   | 3PP4025-3320P2 | Leaf spring (N)              | 1    | 2             | For ML320 Turbo | 50923001 |
|     | 3PP4025-3507P2 | Leaf spring (W)              | 1    | 2             | For ML321 Turbo | 50923001 |
| 9   | 3PP4044-5011P1 | Paper end lever              | 1    | 1             |                 | 50809301 |
| 10  | 3PP4044-5013P1 | Sensor lever                 | 1    | 1             |                 | 50809401 |
| 11  | 4PP4025-3340P1 | Change gear                  | 1    | 2             |                 | 51228001 |
| 12  | 3PP4025-3341P1 | Tractor gear                 | 1    | 2             |                 | 51228101 |
| 13  | 4PP4044-5020P1 | Pressure spring (R)          | 3    | 2             | For ML320 Turbo | 50931401 |
|     |                |                              | 3    | 2             | For ML321 Turbo | 50931401 |
| 14  | 4PP4044-5163P1 | Pressure spring (W)          | 2    | 1             | For ML321 Turbo | 50931501 |
| 15  | 3PP4044-5033P1 | Roller holder (R)            | 3    | 6             | For ML320 Turbo | 53349101 |
|     |                |                              | 5    | 10            | For ML321 Turbo | 53349101 |
| 16  | 4PP4044-5017P1 | Change arm lever             | 1    | 2             |                 | 50809501 |
| 17  | 3PP4044-5014P1 | Switch lever                 | 1    | 1             |                 | 50809601 |
| 18  | 4PP4044-5024P1 | Idle gear (PLT)              | 1    | 2             |                 |          |
| 19  | 2PP4044-5016P1 | Change lever                 | 1    | 2             |                 | 51238501 |
| 20  | 3PP4044-5023P1 | Reset spring D               | 1    | 2             |                 | 50931601 |
| 21  | 3PA4044-5110G1 | LF motor assy                | 1    | 4             |                 | 56513601 |

|    |                |                               |   |   |                 |          |
|----|----------------|-------------------------------|---|---|-----------------|----------|
| 22 | 3PP4044-5034P1 | Rear pressure roller (N)      | 1 | 2 | For ML320 Turbo | 53349401 |
|    | 3PP4044-5162P1 | Rear pressure roller (W)      | 1 | 2 | For ML321 Turbo | 53349501 |
| 23 | 3PA4044-5025G2 | Platen assy (N)               | 1 | 3 | For ML320 Turbo | 50114801 |
|    | 3PA4044-5159G2 | Platen assy (W)               | 1 | 3 | For ML321 Turbo | 50114901 |
| 24 | 3PP4044-5010P1 | Space rack gear (N)           | 1 | 3 | For ML320 Turbo | 53349601 |
|    | 3PP4044-5156P1 | Space rack gear (W)           | 1 | 3 | For ML321 Turbo | 53349701 |
| 25 | 4PB4025-3377P2 | Tension spring for space rack | 1 | 1 |                 | 50923502 |
| 26 | 3PP4044-5008P1 | Guide rail plate (N)          | 1 | 1 | For ML320 Turbo | 51022201 |
|    | 3PP4044-5155P1 | Guide rail plate (W)          | 1 | 1 | For ML321 Turbo | 51022301 |
| 27 | 3PP4025-2810P2 | Adjust cam                    | 1 | 1 |                 | 51238601 |
| 28 | 4PP4044-5009P1 | Carriage shaft                | 1 | 1 | For ML320 Turbo | 51114201 |
|    | 4PP4044-5009P2 | Carriage shaft                | 1 | 1 | For ML321 Turbo | 51114202 |
| 29 | 3PP4044-5005P1 | FG plate (L)                  | 1 | 1 |                 |          |
| 30 | 3PA4044-5050G1 | Pull-up roller assy (N)       | 1 | 2 | For ML320 Turbo | 50411001 |
|    | 3PA4044-5165G1 | Pull-up roller assy (W)       |   | 2 | For ML321 Turbo | 50411101 |
| 31 | 4PP4044-5115P1 | Idle gear, LF (9)             | 1 | 4 |                 | 51238701 |
| 32 | 4PA4044-5041G2 | Tractor frame assy (R)        | 1 | 2 |                 | 53350302 |
| 33 | 4PA4044-5043G2 | Tractor frame assy (L)        | 1 | 2 |                 | 53350202 |
| 34 | 4PP4025-3335P3 | Drive shaft, tractor (N)      | 1 | 2 | For ML320 Turbo |          |
|    | 4PP4025-3335P4 | Drive shaft, tractor (W)      | 1 | 2 | For ML321 Turbo |          |
| 35 | 3PP4044-5046P1 | Tractor sheet guide           | 1 | 2 | For ML321 Turbo | 51022901 |
| 36 | 4PB4044-5095P1 | FG plate (A)                  |   |   |                 | 51022401 |

---

Copyright 1997, Okidata, Division of OKI America, Inc. All rights reserved. See the OKIDATA Business Partner Exchange (BPX) for any updates to this material. (<http://bpx.okidata.com>)

Figure 11-4 Carriage Assy



| No. | Part No.       | Description        | Q'ty | Q'ty Req'd | Remarks | ODA#     |
|-----|----------------|--------------------|------|------------|---------|----------|
| 1   | 4PP4044-5061G1 | Carriage frame set | 1    | 2          |         | 53349801 |



|    |                |                                 |   |   |                    |          |
|----|----------------|---------------------------------|---|---|--------------------|----------|
| 2  | -----          | -----                           | - | - | -----              |          |
| 3  | 4PA4025-3718G1 | Back up roller holder<br>assy   | 1 | 2 |                    | 53343201 |
| 4  | 4PP4025-3398P1 | Guide roller                    | 1 | 2 |                    | 53341901 |
| 4  | 4PP4025-3398P1 | Guide roller                    | 1 | 2 |                    | 53341901 |
| 5  | 3PP4044-5065P1 | Guide roller holder             | 1 | 2 |                    | 53350101 |
| 6  | 4YA4044-5100G1 | Space motor assy                | 1 | 4 |                    | 56513701 |
| 7  | 3PB4044-5506P1 | Head cable (9N)                 | 1 | 5 | For ML320<br>Turbo | 56633801 |
|    | 3PB4044-5507P1 | Head cable (9W)                 | 1 | 5 | For ML321<br>Turbo | 56633802 |
| 8  | 3PB4044-5125P1 | 15-pin connector                | 1 | 2 |                    | 56731301 |
| 9  | 3PA4044-5070G1 | Gear cace assy                  | 1 | 3 |                    | 51238801 |
| 10 | 3PP4044-5068P1 | Head clamp                      | 1 | 1 |                    | 50709001 |
| 11 | 4PP4044-5067P1 | Head plate                      | 1 | 1 |                    | 51022501 |
| 12 | 3PP4044-5064P1 | Ribbon protector                | 1 | 2 |                    | 53077101 |
| 13 | 4PP4025-3397P1 | Back up roller holder<br>spring | 1 | 1 |                    | 50925001 |
| 14 | 4PP4044-5066P1 | Guide roller spring             | 1 | 1 |                    | 50931801 |

---

Copyright 1997, Okidata, Division of OKI America, Inc. All rights reserved. See the OKIDATA Business Partner Exchange (BPX) for any updates to this material. (<http://bpx.okidata.com>)

**Figure 11-5 Option Spare Parts**