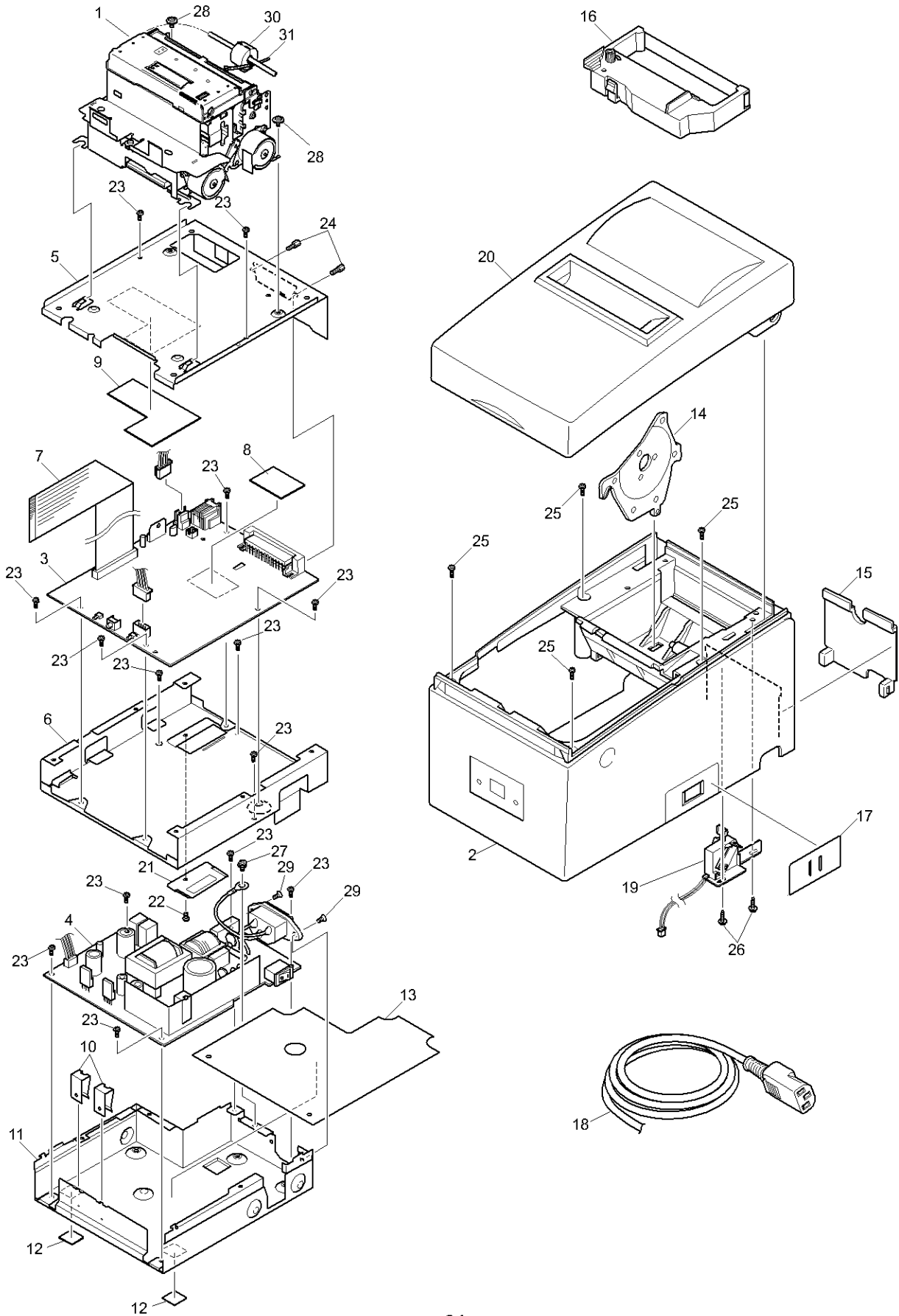


B. Auto Cutter Type



1-2. Parts List

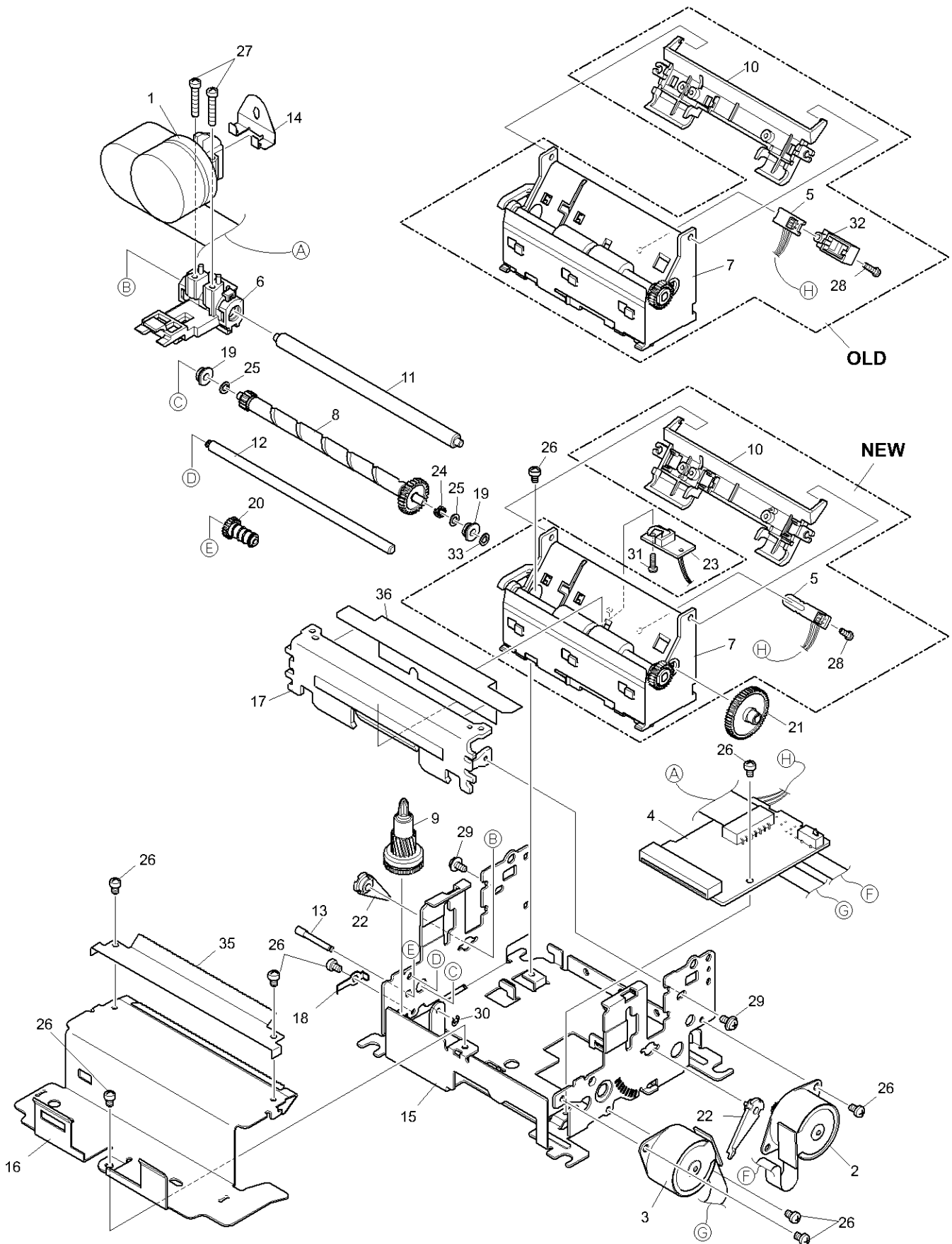
Printer Assembly

DRWG.NO.	REV.	PARTS NO.	PARTS NAME	Q'TY	REMARKS	RANK
1	*1	38050000	MP512MC-24	1	OLD TYPE:TEAR BAR	
	#1	38050001	MP512MC-24	1	NEW TYPE:TEAR BAR	S
	*1	38053000	MP542MC-24	1	OLD TYPE:AUTO CUTTER	
	#1	38053001	MP542MC-24	1	NEW TYPE:AUTO CUTTER	S
2		37320000	CASE UNIT SP5	1	EXCEPT FOR CH,WHITE	S
		37320020	CASE UNIT SP5GRY	1	EXCEPT FOR CH,GRAY	S
		37320010	CASE UNIT SP5CH	1	FOR CH,WHITE	S
		37320030	CASE UNIT SP5GRY CH	1	FOR CH,GRAY	S
3		37327010	MAIN LOGIC BOARD UNIT SP5C	1	PARALLEL IF	S
		37327020	MAIN LOGIC BOARD UNIT SP5D	1	SERIAL IF	S
4		37329000	POWER SUPPLY BD UNIT SP5	1		S
5		NPN	MECHANISM BASE SP5	1	PARALLEL IF	
		NPN	MECHANISM BASE S SP5	1	SERIAL IF	
6		NPN	MAIN CHASSIS SP5	1		
7		30722050	FLAT CABLE 28X160 SP5	1		S
8		30093020	SHIELD SHEET SP5	1	PARALLEL IF ONLY	S
9		NPN	FFC SPACER SP5	1		
10		NPN	TR CLIP SP5	2		
11		32010300	POWER CHASSIS SP5	1		S
12		30991230	RUBBER FOOT 12X12 TSP7	2		S
13		NPN	INSULATION SHEET SP5	1		
14		33910520	ROLL PAPER GUIDE SP5	1		S
15		33020670	REAR COVER SP5	1	WHITE	S
		33020780	REAR COVER SP5GRY	1	GRAY	S
16		30980012	INK RIBBON CARTRIDGE RC200P	1	PERPLE	0
		30980112	INK RIBBON CARTRIDGE RC200B	1	BLACK	0
17		NPN	SWITCH BLIND TSP6	1	WHITE	
		NPN	SWITCH BLIND TSP6GRY	1	GRAY	
18		09110156	CORD SET US INLET S-10A 1.8M	1	FOR US	S
		09110157	CORD SET EC INLET S-10A 1.8M	1	FOR EU	S
		09110153	CORD SET UK INLET S-5A 1.8M	1	FOR UK	S
		09110154	CORD SET AS INLET S10A 1.8M	1	FOR AS	S
		09110183	CORD SET CH INLET S-10A 1.8M	1	FOR CH	S
19		37322000	NE SWITCH UNIT SP5	1	OPTION	0
20		33020650	PRINTER COVER SP51	1	TEAR BAR :WHITE	S
		33020760	PRINTER COVER SP51GRY	1	TEAR BAR :GRAY	S
		33020660	PRINTER COVER SP54	1	AUTO CUTTER:WHITE	S
		33020770	PRINTER COVER SP54GRY	1	AUTO CUTTER:GRAY	S
21		NPN	DIP SWITCH COVER SP5	1		
22		00930403	SCREW TAT 3-4 CT	1		S
23		01903064	SCREW TAT 3-5 CT	14		S
24		00630804	SCREW TR 3-8	2	PARALELL IF	S
		04991401	SCREW DBLC-J25SAF	2	SERIAL IF	S
25		00930800	SCREW TAT 3-8 CT	4		S
26		01903038	SCREW TAT 3-10 PT-FL	2		S
27		01914036	SCREW TR 4-5 WS	1		S
28		01925007	MECHANISM HOLDER SCREW SP5	2		S
29		00530804	SCREW ID 3-8 CI	2		S
30		09990762	FERRITE CORE K5BRC16X16X8-M	1	AUTO CUTTER ONLY	S
31		04991204	FASTENER T18S	1	AUTO CUTTER ONLY	S

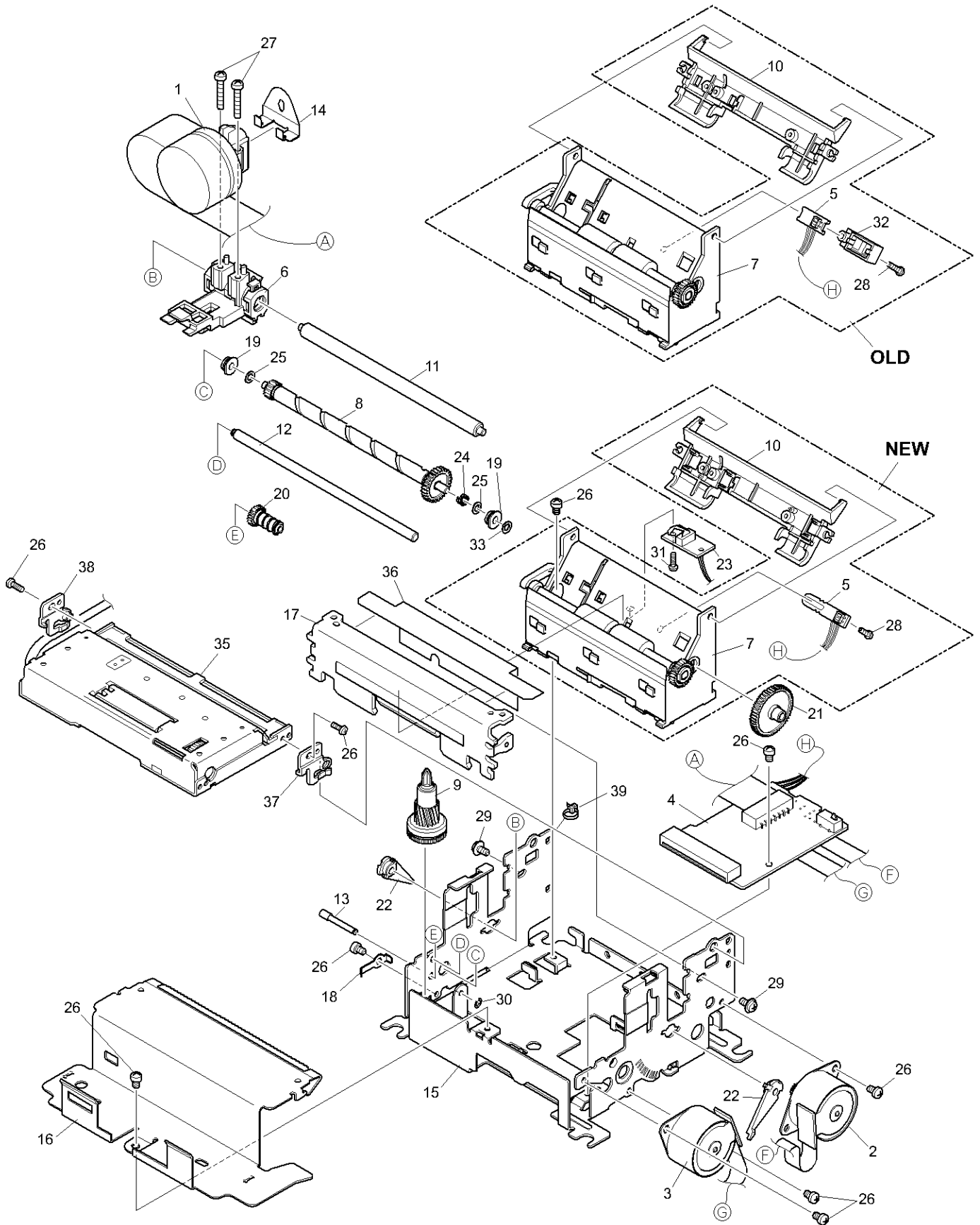
2. Printer Mechanism

2-1. Disassembly Drawing

A. Tear Bar Type



B. Auto Cutter Type



2-2. Parts List

Printer Mechanism (Tear Bar Type)

DRWG.NO.	REV.	PARTS NO.	PARTS NAME	Q'TY	REMARKS	RANK
1		89130220	PRINT HEAD DP8901R	1		S
2		37012020	PAPER FEED MOTOR UNIT MP5	1		S
3		37012030	CARRIAGE MOTOR UNIT MP5	1		S
4		NPN	TERMINAL BOARD ASSY MP5	1		
5		37017800	BLK MARK DETECTOR BD ASSY MP5	1	OLD TYPE *1	S
		37012410	BLACK MARK DETECTOR B UNIT MP5	1	NEW TYPE *1	S
6		37011100	CARRIAGE UNIT MP5	1		S
7	*1	NPN	PAPER GUIDE A UNIT MP5	1	OLD TYPE *1	
	#1	37013021	PAPER GUIDE A UNIT MP5	1	NEW TYPE *1	S
8		37011020	DRIVE SHAFT UNIT MP5	1		S
9		37019000	RIBBON SHAFT UNIT MP5	1		S
10	*1	NPN	PAPER GUIDE B MP5	1	OLD TYPE *1	
	#1	33910412	PAPER GUIDE B MP5	1	NEW TYPE *1	S
11		NPN	CARRIAGE STAY MP5	1		
12		NPN	CARRIAGE GUIDE STAY MP5	1		
13		NPN	WORM GEAR SHAFT MP5	1		
14		32981230	RIBBON SEPARATOR MP5	1		S
15		NPN	FRAME MP5	1		
16		NPN	RIBBON BASE MP5	1		
17		NPN	PLATEN MP5	1		
18		NPN	BACK STOP SPRING MP5	1		
19		33215030	DRIVE SHAFT BEARING MP5	2		S
20		33140050	WORM GEAR MP5	1		S
21		33102180	GEAR 16X53X0.4 MP5	1		S
22		33210511	ADJUSTING BUSHING MP5	2		S
23		37012500	PE SWITCH ASSY MP5	1		S
24		30520300	SPRING C039-035-0043	1		S
25		02303050	POLY-SLIDER WP3X0.5	2		S
26		00926403	SCREW TAT 2.6-4 CT	9		S
27		01902612	SCREW TAT 2.6-16 PT	2		S
28		00920903	SCREW TAT 2-9 PT	1	OLD TYPE *1	S
		01902041	SCREW TAT 2-5 PT-FL	1	NEW TYPE *1	S
29		01902633	SCREW TR 2.6-5 FL	2		S
30		04020002	STOP RING SE1.5	1		S
31		01902615	SCREW TAT 2.6-6 PT	1		S
32		NPN	DETECTOR HOLDER MP5	1	OLD TYPE ONLY *1	
33		02302830	POLY-SLIDER WP2.8X0.30	1		S
34		01902615	SCREW TAT 2.6-6 PT	1		S
35		32970060	TEAR BAR MP5	1		S
36		30990300	BLIND COVER MP5	1		S

*1:

New type parts cannot be mounted on old type parts, nor can old type parts be mounted on new type parts. Always replace with parts of the same type.

Drawing numbers 7 and 10 are old type parts and cannot be supplied even if ordered. Also, drawing number 32 that uses only old type parts cannot be supplied even if ordered. Therefore, to replace even just one of these parts, replace with all new type parts.

For example, if the old type parts in drawing number 7 are broken, replace not only drawing number 7, but also drawing numbers 5, 10 and 28 with new type parts.

To determine whether those parts are old or new type ones, check the serial numbers (12 digits) on the label fixed to the bottom of the printer.

If the serial numbers are the numbers below, they are old type parts. All others are new type parts.

xxxx212xxxxx

xxxx301xxxxx

x represents numbers from 0 to 9.

Printer Mechanism (Auto Cutter Type)

DRWG.NO.	REV.	PARTS NO.	PARTS NAME	Q'TY	REMARKS	RANK
1		89130220	PRINT HEAD DP8901R	1		S
2		37012020	PAPER FEED MOTOR UNIT MP5	1		S
3		37012030	CARRIAGE MOTOR UNIT MP5	1		S
4		NPN	TERMINAL BOARD ASSY MP5	1		
5		37017800	BLK MARK DETECTOR BD ASSY MP5	1	OLD TYPE *1	S
		37012410	BLACK MARK DETECTOR B UNIT MP5	1	NEW TYPE *1	S
6		37011100	CARRIAGE UNIT MP5	1		S
7	*1	NPN	PAPER GUIDE A UNIT MP5	1	OLD TYPE *1	
	#1	37013021	PAPER GUIDE A UNIT MP5	1	NEW TYPE *1	S
8		37011020	DRIVE SHAFT UNIT MP5	1		S
9		37019000	RIBBON SHAFT UNIT MP5	1		S
10	*1	NPN	PAPER GUIDE B MP5	1	OLD TYPE *1	
	#1	33910412	PAPER GUIDE B MP5	1	NEW TYPE *1	S
11		NPN	CARRIAGE STAY MP5	1		
12		NPN	CARRIAGE GUIDE STAY MP5	1		
13		NPN	WORM GEAR SHAFT MP5	1		
14		32981230	RIBBON SEPARATOR MP5	1		S
15		NPN	FRAME MP5	1		
16		NPN	RIBBON BASE MP5	1		
17		NPN	PLATEN MP5	1		
18		NPN	BACK STOP SPRING MP5	1		
19		33215030	DRIVE SHAFT BEARING MP5	2		S
20		33140050	WORM GEAR MP5	1		S
21		33102180	GEAR 16X53X0.4 MP5	1		S
22		33210511	ADJUSTING BUSHING MP5	2		S
23		37012500	PE SWITCH ASSY MP5	1		S
24		30520300	SPRING C039-035-0043	1		S
25		02303050	POLY-SLIDER WP3X0.5	2		S
26		00926403	SCREW TAT 2.6-4 CT	9		S
27		01902612	SCREW TAT 2.6-16 PT	2		S
28		00920903	SCREW TAT 2-9 PT	1	OLD TYPE *1	S
		01902041	SCREW TAT 2-5 PT-FL	1	NEW TYPE *1	S
29		01902633	SCREW TR 2.6-5 FL	2		S
30		04020002	STOP RING SE1.5	1		S
31		01902615	SCREW TAT 2.6-6 PT	1		S
32		NPN	DETECTOR HOLDER MP5	1	OLD TYPE ONLY *1	
33		02302830	POLY-SLIDER WP2.8X0.30	1		S
34		01902615	SCREW TAT 2.6-6 PT	1		S
35		37018020	AUTO CUTTER UNIT MP54	1		S
36		30990300	BLIND COVER MP5	1		S
37		NPN	CUTTER HOLDER PLATE R MP54	1		
38		NPN	CUTTER HOLDER PLATE L MP54	1		
39		04991204	FASTENER T18S	1		S

*1:

New type parts cannot be mounted on old type parts, nor can old type parts be mounted on new type parts. Always replace with parts of the same type.

Drawing numbers 7 and 10 are old type parts and cannot be supplied even if ordered. Also, drawing number 32 that uses only old type parts cannot be supplied even if ordered. Therefore, to replace even just one of these parts, replace with all new type parts. For example, if the old type parts in drawing number 7 are broken, replace not only drawing number 7, but also drawing numbers 5, 10 and 28 with new type parts.

To determine whether those parts are old or new type ones, check the serial numbers (12 digits) on the label fixed to the bottom of the printer.

If the serial numbers are the numbers below, they are old type parts. All others are new type parts.

xxxx212xxxxx

xxxx301xxxxx

x represents numbers from 0 to 9.

1. Printer Assembly

1-1. Disassembly Drawing

A. Tear Bar Type

