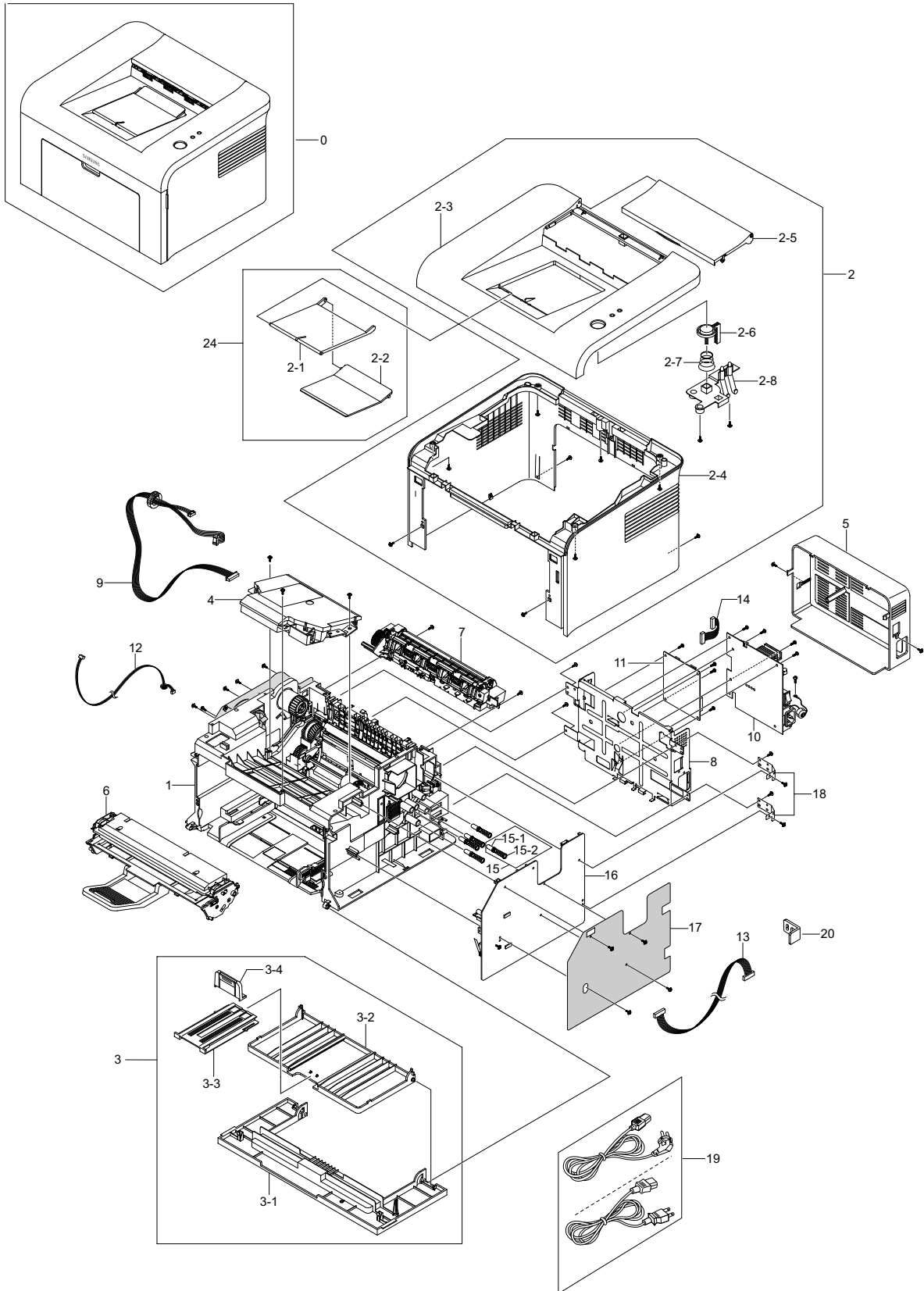


7.1 Main Assembly

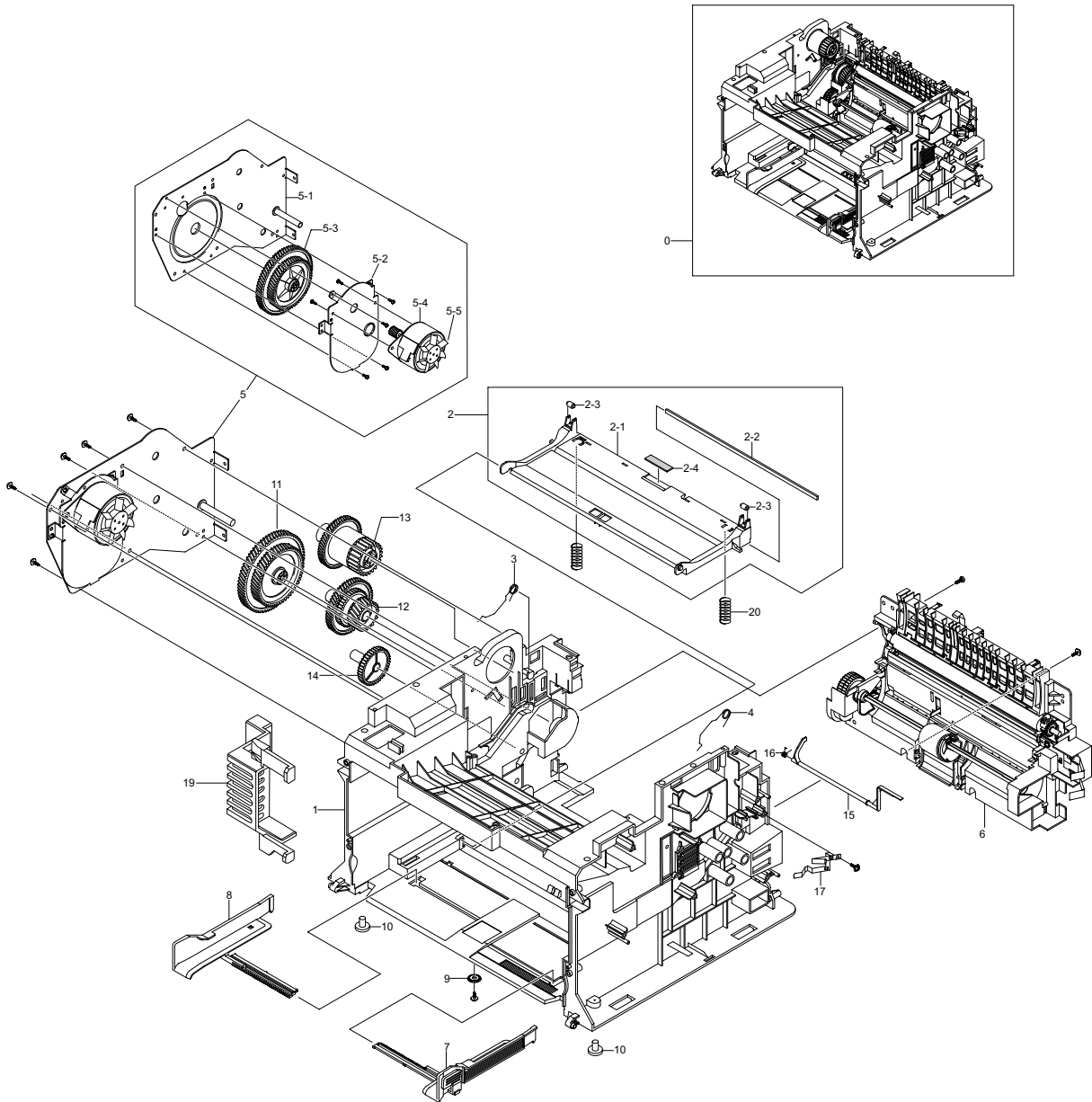


Main Assembly Parts List

SA : Service Available
 O : Service available X : Service not available

No.	Location	SEC.Code	Description	Q'ty	SA	Remark
7.1-0	-	ML-1610/XBH	SET	-	-	
7.1-1	F2090	JC96-03349A	ELA UNIT-FRAME_LOWER	1	SA	
7.1-2	T4062	JC97-02177A	MEA UNIT-COVER MAIN	1	SA	
7.1-2-1	Z5090	JC61-01155A	GUIDE-M-STACKER_RX	1	SA	
7.1-2-2	Z5092	JC61-01156A	GUIDE-M-SUB STACKER	1	SA	
7.1-2-3	Z2168	JC63-00618A	COVER-M_TOP	1	SNA	
7.1-2-4	Z2198	JC63-00619A	COVER-M-MAIN	1	SNA	
7.1-2-5	D0027	JC63-00620A	COVER-M-JAM	1	SA	
7.1-2-6	K0045	JC64-00184A	KEY-M-ONLINE	1	SNA	
7.1-2-7	A1013	JC66-00816A	LEVER-M-ACTUATOR JAM	1	SA	
7.1-2-8	W3274	JC67-00079A	LENS-M_LED	1	SNA	
7.1-3	Z2409	JC97-02176A	MEA UNIT-COVER FRONT	1	SA	
7.1-3-1	Z2146	JC63-00616A	COVER-M_FRONT(DEVE)	1	SNA	
7.1-3-2	K3955	JC63-00617A	TRAY-M-CASSETTE	1	SNA	
7.1-3-3	E5013	JC63-00628A	TRAY-M-EXTENSION LARGE	1	SNA	
7.1-3-4	E5014	JC63-00629A	TRAY-M-EXTENSION SMALL	1	SNA	
7.1-4	L7012	JC59-00023A	UNIT-LSU	1	SA	
7.1-5	S7009	JC63-00621A	COVER-M-SMPS	1	SA	
7.1-6	T2060	JC96-03355B	ELA UNIT-DEVE KIT_2K;	1	SNA	
7.1-7	F4038	JC96-03401A	ELA HOU-FUSER 220V	1	SA	AC220V
7.1-8	E2108	JC63-00632A	SHIELD-P-ENGINE	1	SNA	
7.1-9	L7002	JC39-00406A	CBF HARNESS-LSU	1	SA	
7.1-10	S7050	JC44-00081A	SMPS-(V2C)	1	SA	AC110V
7.1-11	Z1024	JC92-01640A	PBA MAIN-USB_ONLY	1	SA	
7.1-12	M2053	JC39-00405A	CBF HARNESS-MOTOR	1	SA	
7.1-13	H1098	JC39-00400A	CBF HARNESS-HVPS	1	SA	
7.1-14	H1247	JC39-00402A	CBF HARNESS-SMPS	1	SA	
7.1-15	K3197	JC96-01672A	ELA UNIT-TERMINAL TR L	5	SA	
7.1-15-1	Z4197	JC61-00031A	SPRING ETC-HV LARGE	1	SA	
7.1-15-2	S4027	JC70-40912A	ICT-SHAFT HV LARGE	1	SA	
7.1-16	S7027	JC44-00079A	HVPS-SKYLARK	1	SA	
7.1-17	D2132	JC63-00722A	HEET-HVPS	1	SA	
7.1-18	K3232	JC63-00631A	GROUND-P-HVPS	2	SNA	
7.1-19	K2903	3903-000067	CBF-POWER CORD 220V	1	SA	
7.1-20	P5151	JC61-01170A	PLATE-P-CHANNEL	1	SA	

7.2 Frame Assembly



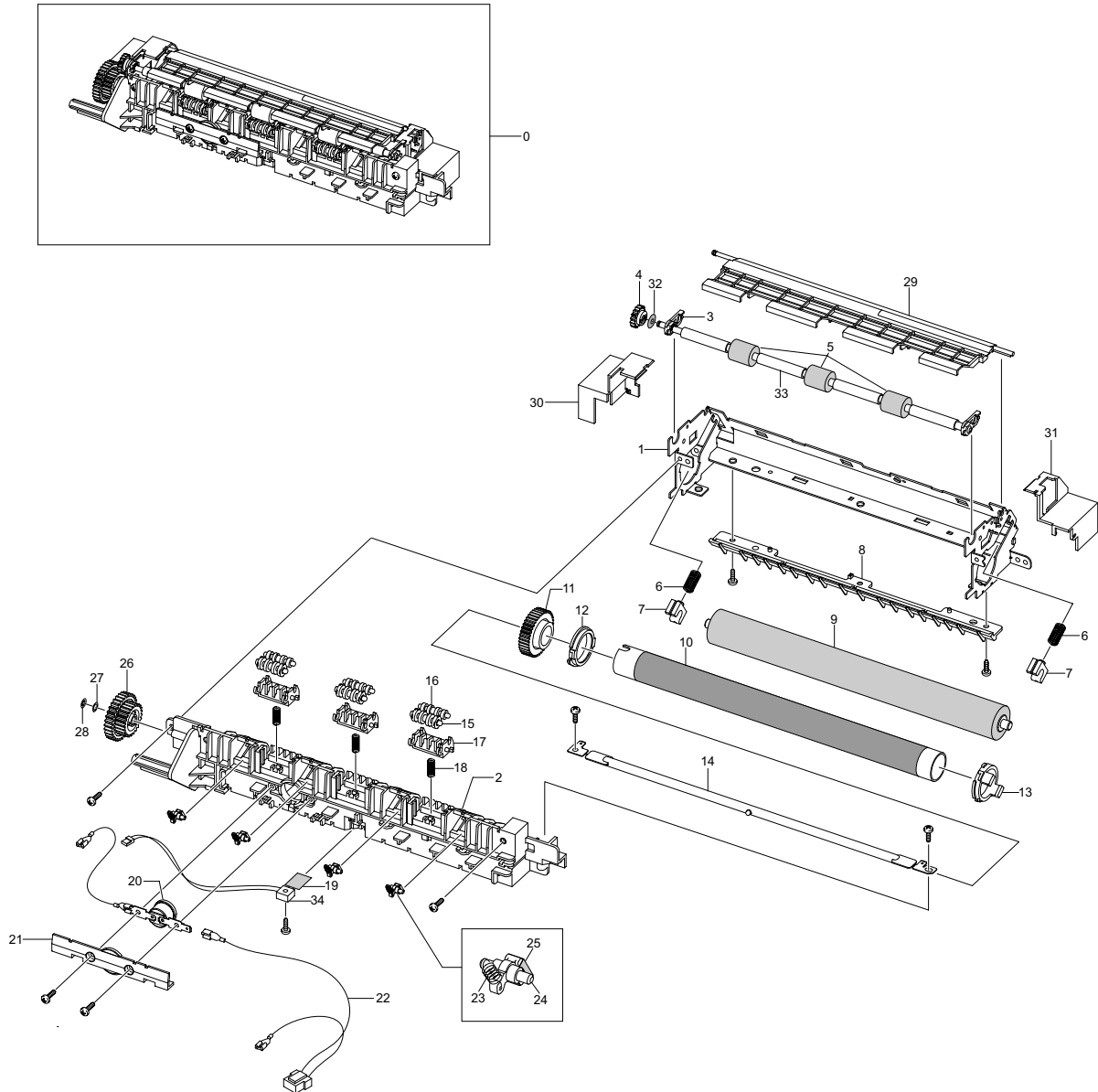
Frame Assembly Parts List

SA : Service Available

O : Service available X : Service not available

No.	Location	SEC.Code	Description	Q'ty	SA	Remark
7.2-0	F2090	JC96-03349A	ELA UNIT-FRAME_LOWER	1	SA	
7.2-1	B0080	JC61-01152A	FRAME-M-BASE	1	SNA	
7.2-2	K3602	JC97-02218A	MEA UNIT-PLATE KNOCK_UP	1	SA	
7.2-2-1	K5002	JC61-01158A	PLATE-M-KNOCK_UP	1	SA	
7.2-2-2	P2158	JC66-00720A	SHAFT-P-CORE;ML-1750,SECC 1.6T,220,-,-,-	1	SNA	
7.2-2-3	K5006	JC72-01004A	PMO-IDLE KNOCK UP MP	2	SA	
7.2-2-4	K5007	JC74-00011A	MPR-PAD KNOCK UP MP	1	SNA	
7.2-3	Z4271	JC61-01258A	SPRING ETC-TORSION DEVE_L	1	SA	
7.2-4	Z4272	JC61-01259A	SPRING ETC-TORSION DEVE_R	1	SA	
7.2-5	D4030	JC96-03518A	ELA UNIT-RX DRIVE	1	SA	
7.2-5-1	B4025	JC61-01153A	BRACKET-P-GEAR	1	SNA	
7.2-5-2	M2048	JC61-01154A	BRACKET-P-MOTOR	1	SNA	
7.2-5-3	G0383	JC66-00804A	GEAR-RDCN 139/83	1	SA	
7.2-5-4	P2119	JC31-00020D	MOTOR BLOWER-STEP 7.5	1	SA	
7.2-5-5	K4023	JC72-00825A	PMO-IMPELLER_DRV	1	SNA	
7.2-6	B0101	JC97-02175A	MEA UNIT-FRAME PAPER PATH	1	SA	
7.2-7	K2015	JC70-00500A	ADJUST-M-CASSETTE_R	1	SA	
7.2-8	K2014	JC70-00499A	ADJUST-M-CASSETTE_L	1	SA	
7.2-9	G0369	JG66-40003A	GEAR-PINION;SF4000,POM,WHT,M1,Z1	1	SA	
7.2-10	F1011	JC61-00836A	FOOT-FRONT;ML-1750,NBR,D7,-,12,-,-	2	SA	
7.2-11	G0381	JC66-00805A	GEAR-RDCN 113/83	1	SA	
7.2-12	D4047	JC66-00806A	GEAR-OPC DR 76/38/29	1	SA	
7.2-13	F4086	JC66-00807A	GEAR-FUSER DR 63/35	1	SA	
7.2-14	F6076	JC66-00808A	GEAR-FEED DR 41	1	SA	
7.2-15	K3816	JC66-00822A	LEVER-M-ACTUATOR_EMPTY	1	SA	
7.2-16	Z4274	JB61-00076A	SPRING ETC-TORSION DOC (CC2-F);SCX-1110F	1	SA	
7.2-17	D4053	JC63-00622A	GROUND-P-OPC	1	SA	
7.2-18	D4084	6107-001240	SPRING-CS	2	SNA	
7.2-19	A0003	JC67-00110A	CAP-M-MOTOR	1	SNA	
7.2-20	B2030	JC61-00025A	SPRING-CS-CHARGE APOLLO;SF-5100,	2	SNA	

7.3 Fuser Unit



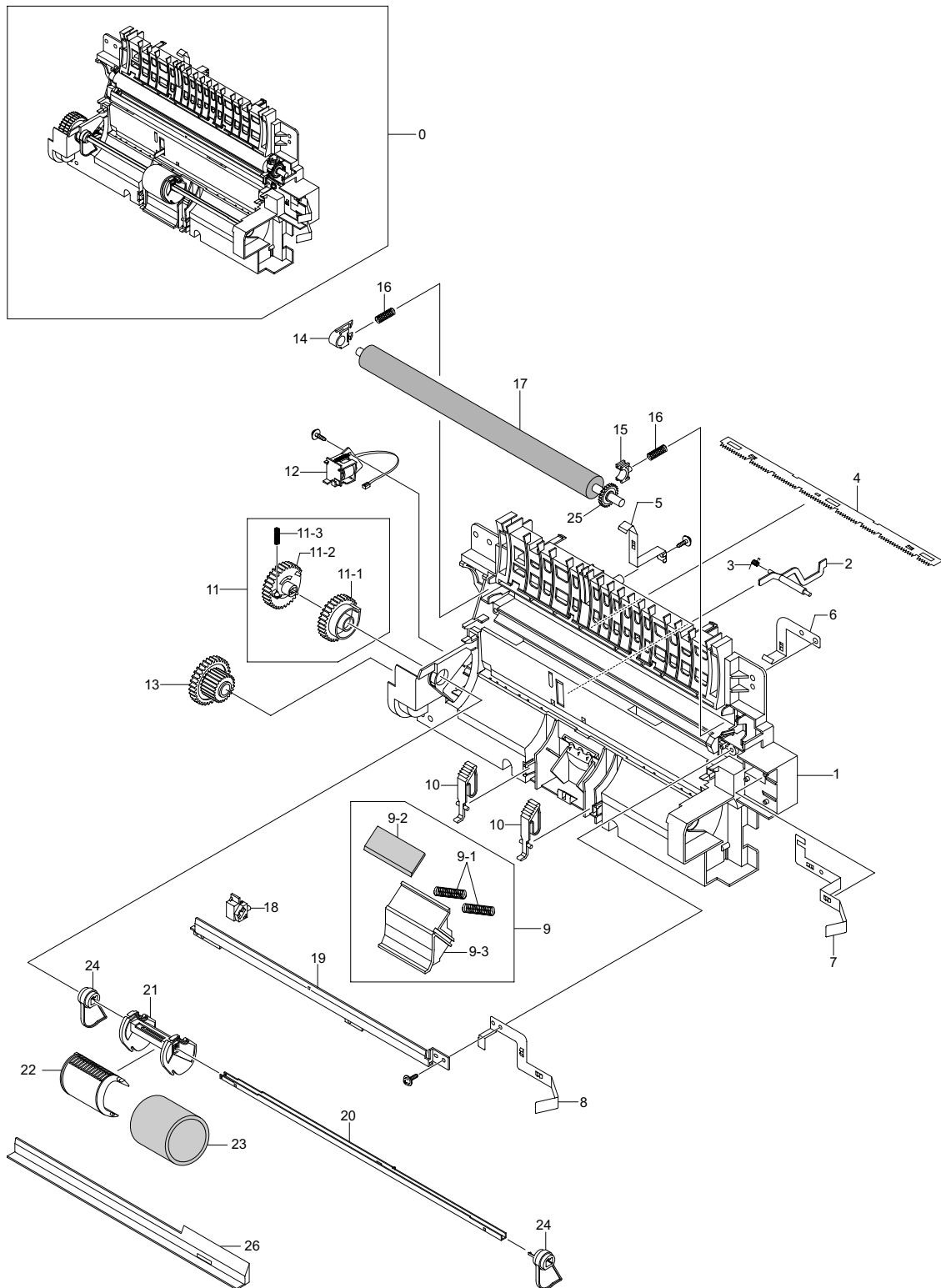
Fuser Unit Parts List

SA : Service Available

O : Service available X : Service not available

No.	Location	SEC.Code	Description	Q'ty	SA	Remark
7.3-0	F4038	JC96-03401A	ELA HOU-FUSER 220V	1	SA	AC 220V
7.3-1	F2122	JC61-01162A	FRAME-P-FUSER	1	SNA	
7.3-2	Z2149	JC63-00615A	COVER-M_FUSER	1	SNA	
7.3-3	H4027	JC61-01177A	HOLDER-M-EXIT R	2	SA	
7.3-4	E4038	JC66-00810A	GEAR-EXIT_DRV17	1	SNA	
7.3-5	H4026	JC61-01172A	HOLDER-M-EXIT F/DOWN	3	SNA	
7.3-6	D4085	6107-001168	SPRING-CS	2	SNA	
7.3-7	P6004	JC66-10901A	BEARING-PRESSURE/R;ML-165,PPS,5,-,14.8	2	SA	
7.3-8	K3960	JC61-00595A	GUIDE-M-INPUT;ML-1400,PET+GF30%,-,-,BL	1	SNA	
7.3-9	P6014	JC66-00600A	ROLLER-PRESSURE	1	SA	
7.3-10	H2010	JC66-00601A	ROLLER-HEAT	1	SA	
7.3-11	F4094	JC66-00564A	GEAR-FUSER, Z37;ML-1710,HTN51G35HSL,0.8,	1	SA	
7.3-12	K2879	JC61-00589A	BUSH-M-HR L;ML-1400,PPS,-,-,-,V0	1	SNA	
7.3-13	K2880	JC61-00590A	BUSH-M-HR R;ML-1400,PPS(RBA313N, CONDUCT	1	SA	
7.3-14	K2297	4713-001202	LAMP-HALOGEN, 230V	1	SA	AC 230V
7.3-15	R1083	JC66-00824A	ROLLER-M-EXIT MAIN	3	SNA	
7.3-16	R1084	JC66-00830A	ROLLER-M-EXIT FR	3	SNA	
7.3-17	D4085	6107-001168	SPRING-CS	2	SNA	
7.3-18	D4086	6107-001163	SPRING-CS;SUS304-WPB,-,PI0.4,D3.9,L13,-,	3	SA	
7.3-19	W3071	1404-001298	HERMISTOR-NTC;7KOHM,-,3370K,0.3MW/C	1	SA	
7.3-20	K4279	JC47-00005B	THERMOSTAT-150	1	SA	
7.3-21	H1089	JC39-00404A	CBF HARNESS-FUSER JOINT	1	SA	
7.3-22	H1085	JC39-00403B	CBF HARNESS-FUSER(220V)	1	SA	
7.3-23	B2031	JC61-00064A	SPRING-CLAW;ML-5200A,SUS 304 WPB	4	SNA	
7.3-24	H4031	JC61-00584A	HOLDER-M-PLATE CLAW;ML-1400,PET+GF30%,	4	SA	
7.3-25	H4032	JC61-00605A	PLATE-P-CLAW;ML-1400,SUS304-CSP,0.1,-,-,	4	SNA	
7.3-26	E4039	JC66-00801A	GEAR-EXIT_DR38/25	1	SNA	
7.3-27	S2004	6031-001051	WASHER-PLAIN;M4,ID4.1,OD7.0,T0.1	1	SNA	
7.3-28	D4086	6107-001163	SPRING-CS;SUS304-WPB,-,PI0.4,D3.9,L13,-,	3	SA	
7.3-29	Z2194	JC63-00637A	COVER-M-FUSER-DUMMY	1	SNA	
7.3-30	L1014	JC63-00639A	COVER-M-LAMP-L	1	SNA	
7.3-31	L1015	JC63-00638A	COVER-M-LAMP-R	1	SNA	
7.3-32	D4088	6044-000001	RING-CS;ID3,OD3,T0.25,BLACK,SUS304	1	SNA	
7.3-33	E4159	JC66-00826A	ROLLER-EXIT F/DOWN	1	SA	
7.3-34	H4087	JC67-00085A	CAP-M-THERMO	1	SNA	

7.4 Paper Path Unit



Paper path Unit Parts List

SA : Service Available

O : Service available X : Service not available

No.	Location	SEC.Code	Description	Q'ty	SA	Remark
7.4-0	B0101	JC97-02175A	MEA UNIT-FRAME PAPER PATH	1	SA	
7.4-1	G2069	JC61-01161A	GUIDE-M-PAPER PATH	1	SA	
7.4-2	E7006	JC66-00814A	LEVER-ACTUATOR FEED SENSOR	1	SA	
7.4-3	Z4209	JB61-00107A	OPRING ETC-LEVER SENSOR;SF-430,SUS304	1	SA	
7.4-4	K3377	JC70-10232A	IPR-PLATE SAW	1	SA	
7.4-5	W3076	JC63-00625A	GROUND-P-VARISTOR	1	SNA	
7.4-6	W3077	JC63-00624A	GROUND-P-ZENER	1	SNA	
7.4-7	W3078	JC63-00623A	GROUND-P-THV	1	SNA	
7.4-8	W3079	JC63-00626A	GROUND-P-SAW	1	SNA	
7.4-9	P0015	JC97-02217A	MEA UNIT-HOLDER_PAD	1	SA	
7.4-9-1	Z4137	JC61-70911A	SPRING ETC-EXIT ROLL FD;ML-165,SUS304 WP	2	SA	
7.4-9-2	R1049	JC69-00846A	PAD-FRICTION	1	SNA	
7.4-9-3	H4029	JC61-01169A	HOLDER-M-PAD	1	SA	
7.4-10	R1120	JC66-00815A	LEVER-M-KICKER P/U	2	SNA	
7.4-11	P2093	JC97-02179A	MEA UNIT-PICK UP GEAR	1	SA	
7.4-11-1	P2056	JC66-00803A	GEAR-PICK_UP B	1	SA	
7.4-11-2	P2057	JC66-00802A	GEAR-PICK_UP A	1	SA	
7.4-11-3	D4089	6107-001167	SPRING-CS	1	SA	
7.4-12	S8014	JC33-00015B	SOLENOID-MP_R2;-;SCX-4720F,DC24V,	1	SA	
7.4-13	F6071	JC66-00809A	GEAR-FEED 35/19	1	SA	
7.4-14	K2886	JC61-00588A	BUSH-M-TR L;ML-1400,POM(M90-44),-,-,BL	1	SA	
7.4-15	K3856	JC72-00102A	PMO-BUSHING_TR(L);SF-5100,POM ,B	1	SA	
7.4-16	Z4277	JC61-70940A	SPRING ETC-TR(12)	2	SNA	
7.4-17	T3014	JC66-00725A	ROLLER-TRANSFER;SCX-4100,NBR FOAM,â15	1	SA	
7.4-18	H4041	JC61-00583A	HOLDER-PTL;ML-1400,ABS,-,-,BLK,-	1	SA	
7.4-19	K3367	JC70-00307A	IPR-P-EARTH TRANSFER;ML-1400,SECC	1	SA	
7.4-20	P2160	JC66-00829A	SHAFT-P-PICK_UP	1	SA	
7.4-21	P2067	JC61-01151A	HOUSING-M-PICK_U	1	SNA	
7.4-22	P2068	JC61-01173A	HOUSING-M-PICK_UP B	1	SNA	
7.4-23	P2148	JC73-00211A	RUBBER-PICK_UP	1	SA	
7.4-24	P2042	JC66-00811A	CAM-M-PICK_UP	2	SA	
7.4-25	G0448	JC66-00813A	GEAR-TRANSFER	1	SA	
7.4-26	-	JC61-01281A	BRACKET-P-BAR_PICK-UP;	1	SNA	