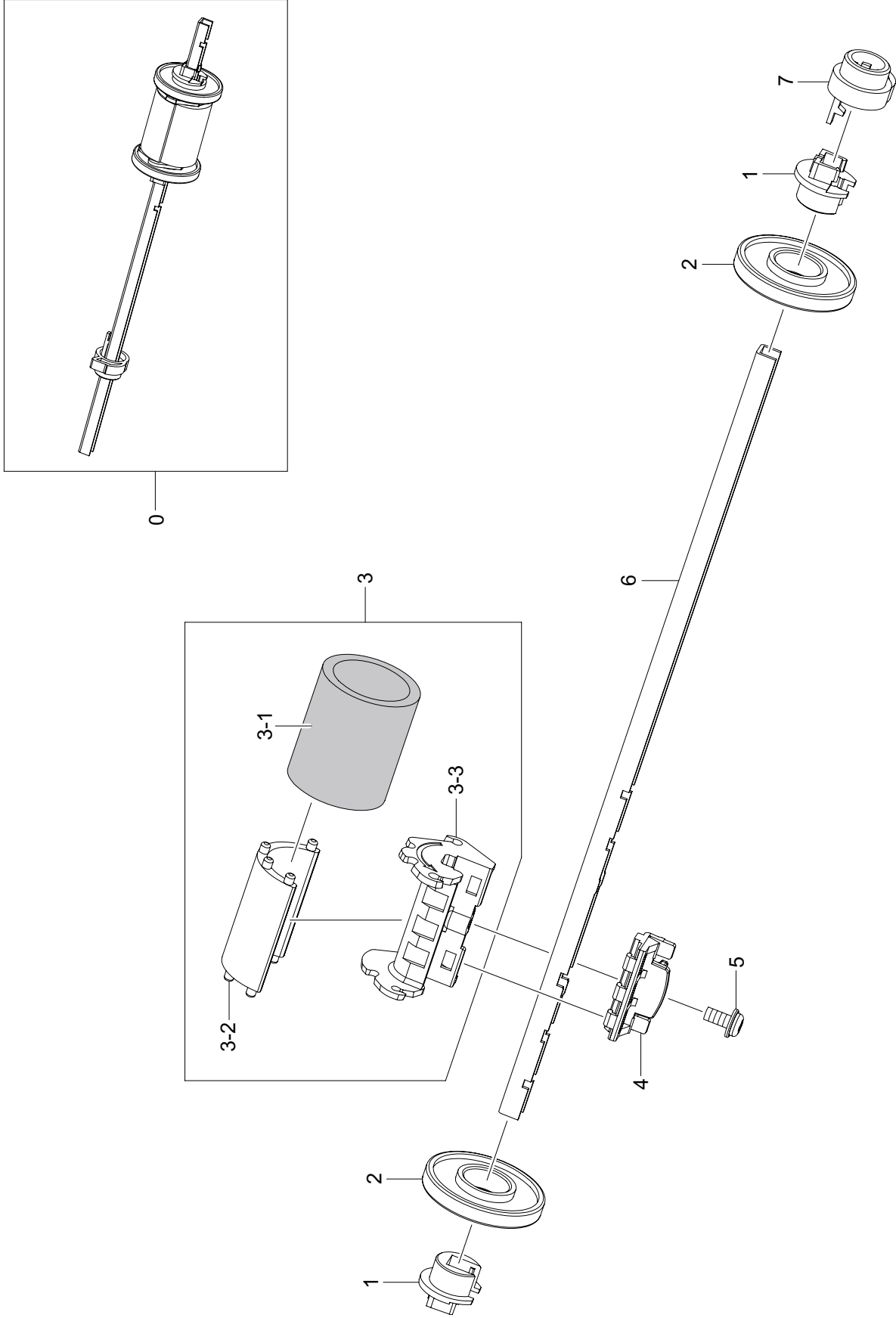


9. Base Frame-Pick Up



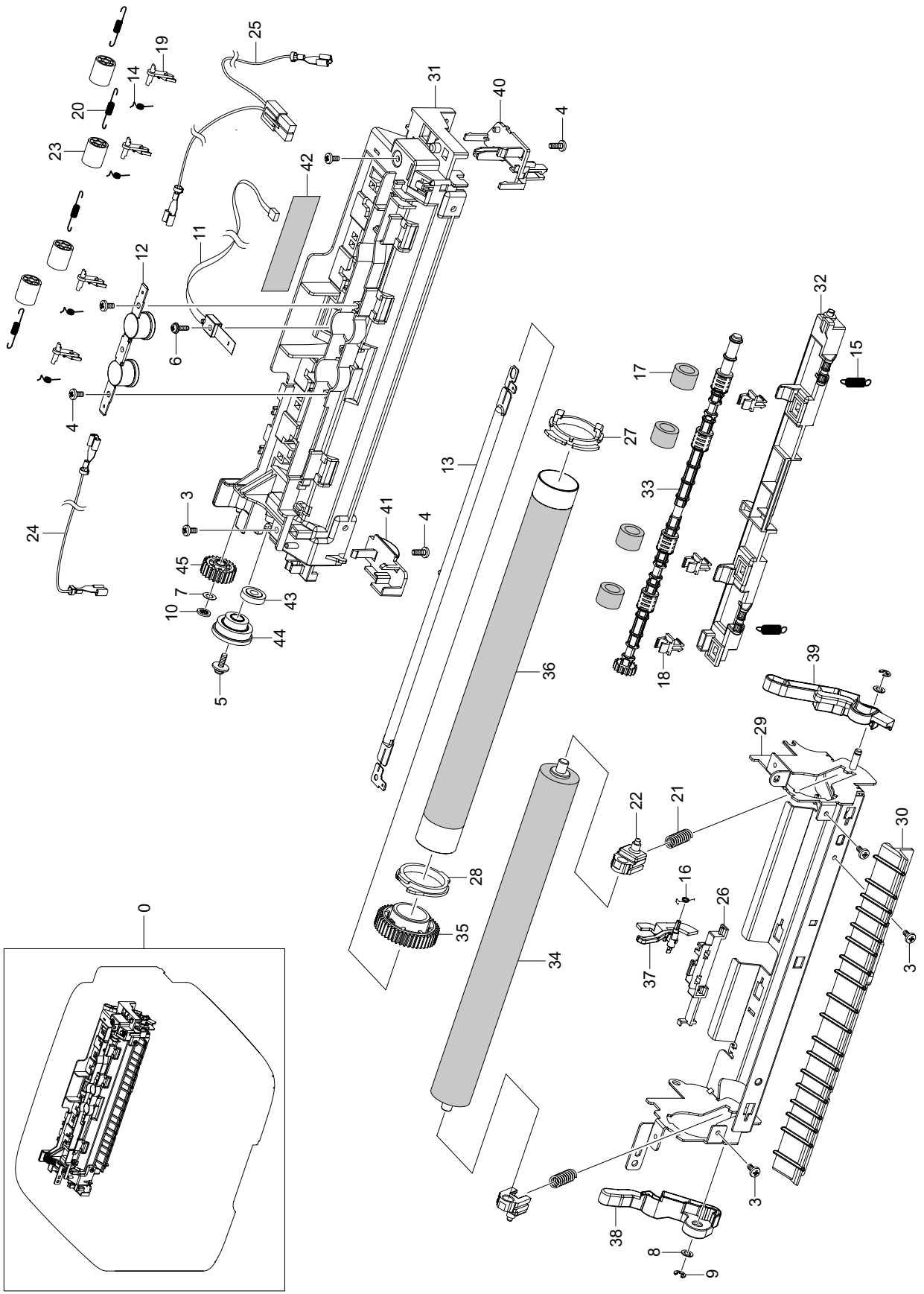
Base Frame-Pick Up Parts List

SA : SERVICE AVAILABLE, SNA : SERVICE not AVAILABLE

Drawer#	SEC_Code	Description	QT'y	Service	Remark
0	JC93-00085A	FRAME BASE-PICK UP	1	SA	
1	JC61-03477A	STOPPER-PICK_UP	2	SA	
2	JC72-00982A	PMO-IDLE PICK_UP	2	SA	
3	JC93-00087A	FRAME BASE-PICK UP RUBBER	1	SA	
3-1	JC73-00315A	RUBBER-PICK_UP	1	SA	
3-2	JC61-03514A	HOUSING-PICKUP_RUB	1	SA	

Drawer#	SEC_Code	Description	QT'y	Service	Remark
3-3	JC61-03435A	HOUSING-PICKUP	1	SA	
4	JC61-03485A	HOLDER-PICKUP	1	SA	
5	6003-000264	SCREW-TAPTYPE	1	SNA	
6	JC66-00399A	SHAFT-P-PICK_UP	1	SA	
7	JC61-00586A	BUSH-M-PICK_UP L	1	SA	

10. Fuser



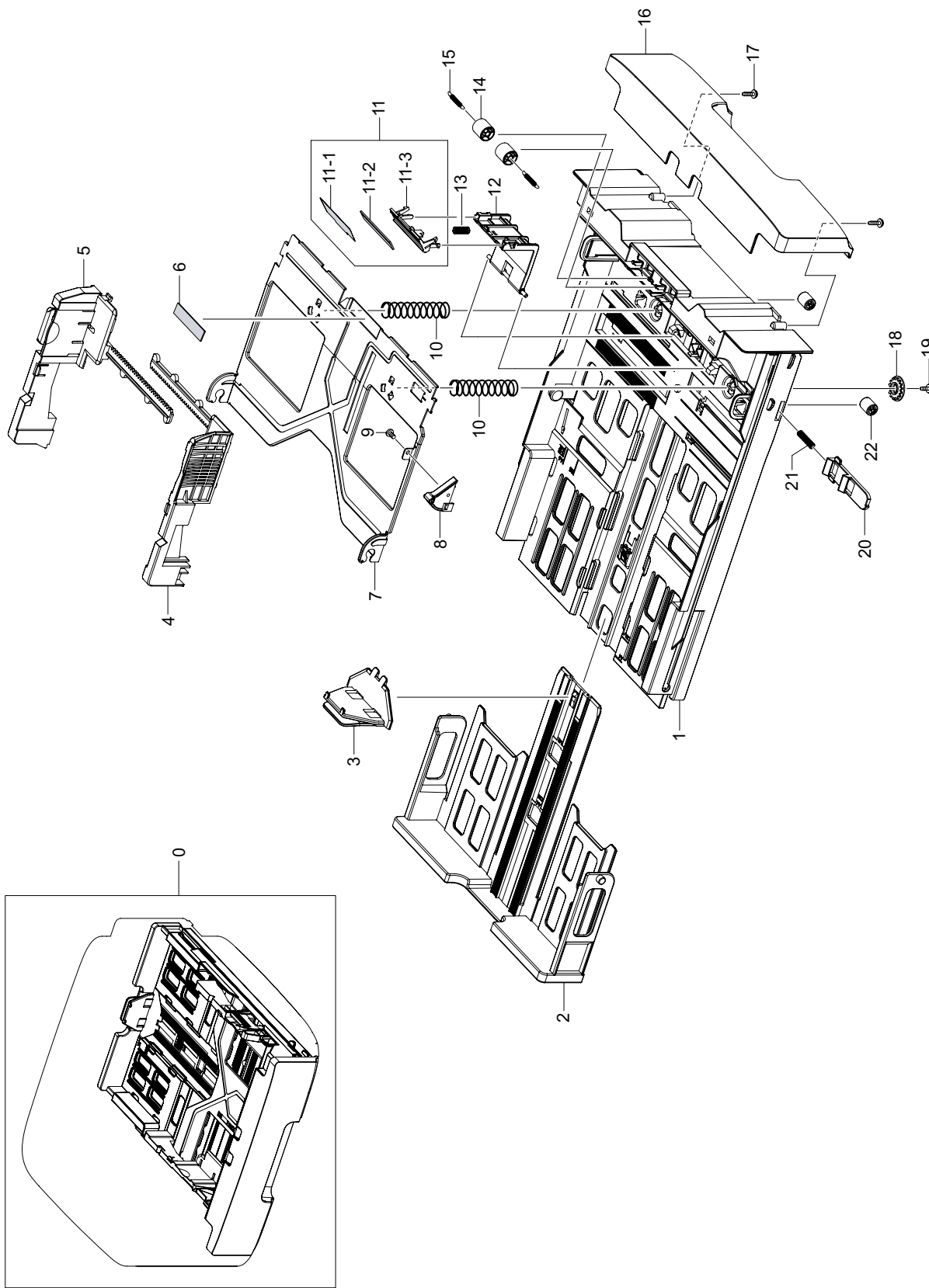
Fuser Parts List

SA : SERVICE AVAILABLE, SNA : SERVICE not AVAILABLE

Drawer#	SEC_Code	Description	QT'y	Service	Remark
0	JC91-00946A	FUSER	1	SA	110V / A type
0	JC91-00946B	FUSER	1	SA	220V / B type
0	JC91-00945A	FUSER	1	SA	110V / C type
0	JC91-00945B	FUSER	1	SA	220V / D type
3	6003-000269	SCREW-TAPTYPE	5	SA	
4	6003-000282	SCREW-TAPTYPE	4	SNA	
5	6006-001078	SCREW-TAPTYPE	1	SNA	
6	6003-000196	SCREW-TAPTYPE	1	SA	
7	6031-001051	WASHER-PLAIN	1	SNA	
8	6031-001584	WASHER-PLAIN	2	SA	
9	6044-000159	RING-C	2	SA	
10	6044-000001	RING-CS	1	SA	
11	1404-001447	THERMISTOR-NTC ASSY	1	SA	
12	4712-001031	THERMOSTAT	1	SA	
13	4713-001211	LAMP-HALOGEN	1	SA	110V
13	4713-001212	LAMP-HALOGEN	1	SA	220V
14	6107-001800	SPRING-TS	4	SA	
15	6107-001802	SPRING-ES	2	SA	
16	6107-001165	SPRING-TS	1	SA	
17	JC73-00017A	RMO-RUBBER_EXIT	4	SA	
18	JC72-00382A	PMO-BUSHING TX	3	SNA	
19	JC61-03685A	GUIDE-CLAW	4	SNA	
20	JC61-70976A	SPRING ETC-FUSER EXIT	4	SNA	
21	JC61-00056A	SPRING ETC-PR(7300)	2	SA	
22	JC61-03473A	BUSH-PR HIGH	2	SNA	
23	JC72-40361A	PMO-ROLLER_EXIT	4	SNA	

Drawer#	SEC_Code	Description	QT'y	Service	Remark
24	JC39-00819A	HARNESS-FUSER JOINT	1	SA	
25	JC39-01082A	HARNESS-FUSER AC	1	SA	
26	JC61-00581A	HOLDER-ACTUATOR	1	SA	
27	JC61-00887A	BUSH-M-HR R_R2	1	SA	
28	JC61-00888A	BUSH-M-HR L_R2	1	SA	
29	JC61-03449A	FRAME-FUSER	1	SNA	
30	JC61-03450A	GUIDE-INPUT	1	SNA	
31	JC63-02412A	COVER-FUSER	1	SNA	
32	JC63-02413A	COVER-FUSER DUMMY	1	SNA	
33	JC66-00380A	ROLLER-M-EXIT F/UP	1	SA	
34	JC66-00600A	ROLLER-PRESSURE	1	SA	A/B Type
34	JC66-00600B	ROLLER-PRESSURE	1	SA	C/D Type
35	JC66-01254A	GEAR-FUSER	1	SA	
36	JC66-01256A	ROLLER-HEAT	1	SA	A/B Type
36	JC66-01256B	ROLLER-HEAT	1	SA	C/D Type
37	JC66-02364A	ACTUATOR-EXIT	1	SNA	
38	JC66-02365A	LEVER-LINK JAM L	1	SNA	
39	JC66-02366A	LEVER-LINK JAM R	1	SNA	
40	JC67-00414A	CAP-FUSER LAMP R	1	SNA	
41	JC67-00415A	CAP-FUSER LAMP L	1	SNA	
42	JC68-01581B	LABEL-CAUTION	1	SNA	110V
42	JC68-01581C	LABEL-CAUTION	1	SNA	220V
43	JC72-00143A	PMO-GEAR_EXIT_DRV16	1	SNA	
44	JC66-02317A	GEAR-RDCN_EXIT	1	SA	
45	JC66-00396A	GEAR-IDLE 23	1	SA	

11. Cassette



Cassette Parts List

SA : SERVICE AVAILABLE, SNA : SERVICE not AVAILABLE

Drawer#	SEC_Code	Description	QT'y	Service	Remark
0	JC90-00939A	CASSETTE	1	SA	ML-1915/2525
0	JC90-00939B	CASSETTE	1	SA	ML-1910/2580N
1	JC61-03343A	FRAME-CASSETTE	1	SNA	
2	JC61-03341A	GUIDE-EXTENSION CST	1	SNA	ML-1915/2525
2	JC61-03341B	GUIDE-EXTENSION CST	1	SNA	ML-1910/2580N
3	JC72-00971A	PMO-EXTENSION SMALL	1	SA	
4	JC70-00300A	ADJUST-M-CASSETTE_L	1	SA	
5	JC70-00301A	ADJUST-M-CASSETTE_R	1	SA	
6	JC73-00141A	RPR-PAD CASSETTE	1	SA	
7	JC61-00603A	PLATE-P-KNOCK_UP	1	SNA	
8	JC66-00719A	CAM-M-KNOCK UP	1	SA	
9	6003-000261	SCREW-TAPTYPE	1	SNA	
10	6107-001166	SPRING-CS	2	SA	
11	JC90-00941A	CASSETTE-HOLDER PAD	1	SA	
11-1	JC63-00290A	SHEET-HOLDER PAD	1	SA	

Drawer#	SEC_Code	Description	QT'y	Service	Remark
11-2	JC73-00140A	RPR-FRICTION PAD	1	SA	
11-3	JC61-03344A	HOLDER-PAD	1	SA	
12	JC61-01978A	HOUSING-HOLDER PAD	1	SA	
13	JC61-70911A	SPRING ETC-EXIT ROLL FD	1	SA	
14	JC66-00529C	ROLLER-IDLE FEED	2	SA	ML-1915/2525
14	JC66-00529A	ROLLER-M-IDLE FEED	2	SA	ML-1910/2580N
15	6107-001047	SPRING-ES	2	SA	
16	JC63-02341A	COVER-CASSETTE	1	SNA	ML-1915/2525
16	JC63-02341B	COVER-CASSETTE	1	SNA	ML-1910/2580N
17	6003-000196	SCREW-TAPTYPE	2	SA	
18	JG66-40003A	GEAR-PINION	1	SA	
19	6003-000264	SCREW-TAPTYPE	1	SNA	
20	JC72-00972A	PMO-PLATE_LOCKER	1	SA	
21	JG61-70531A	SPRING ETC-LOCKER,PLATE	1	SA	
22	JC72-40981A	PMO-ROLLER UPPER DP	2	SA	