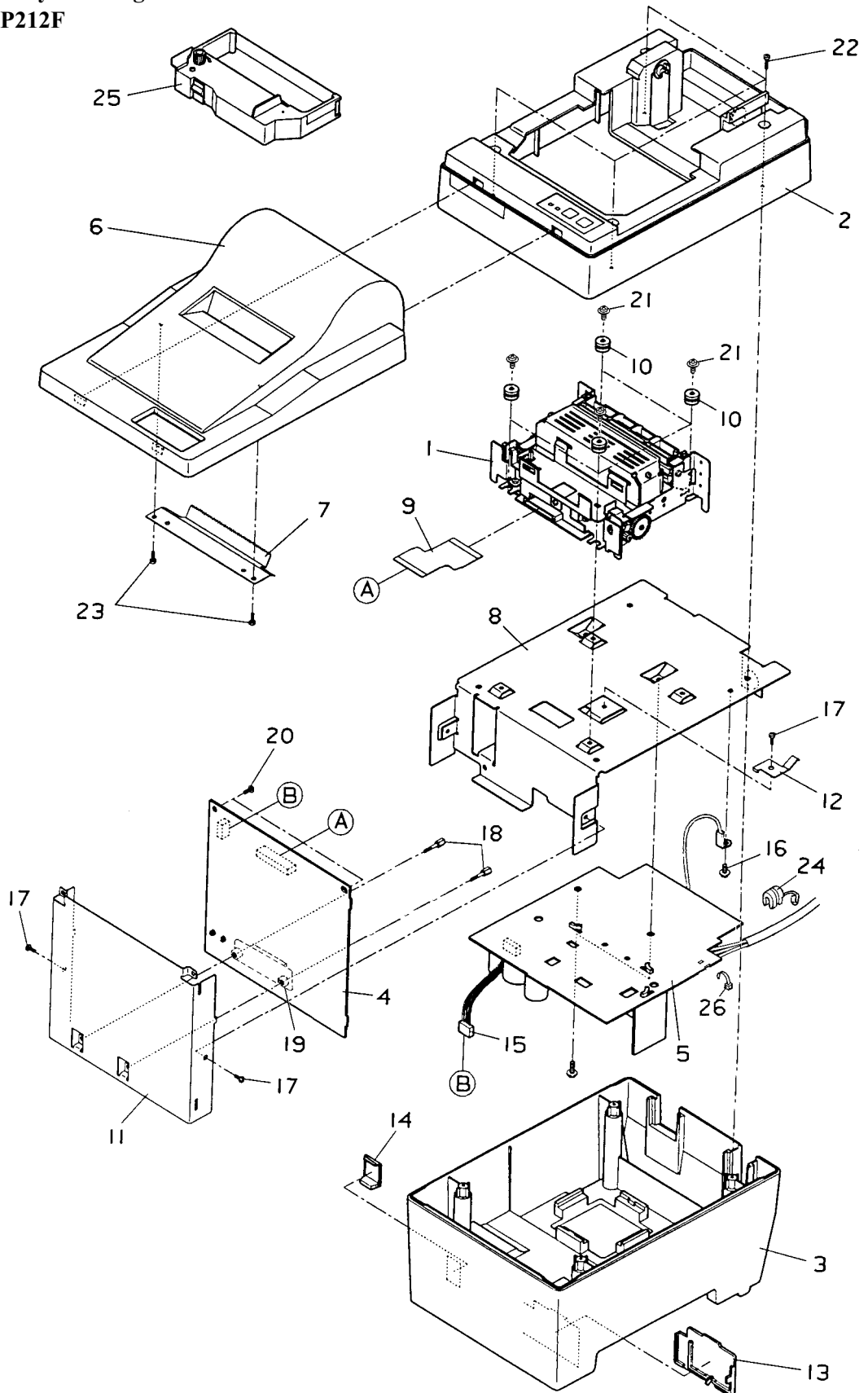


## 6.1 Printer Assembly

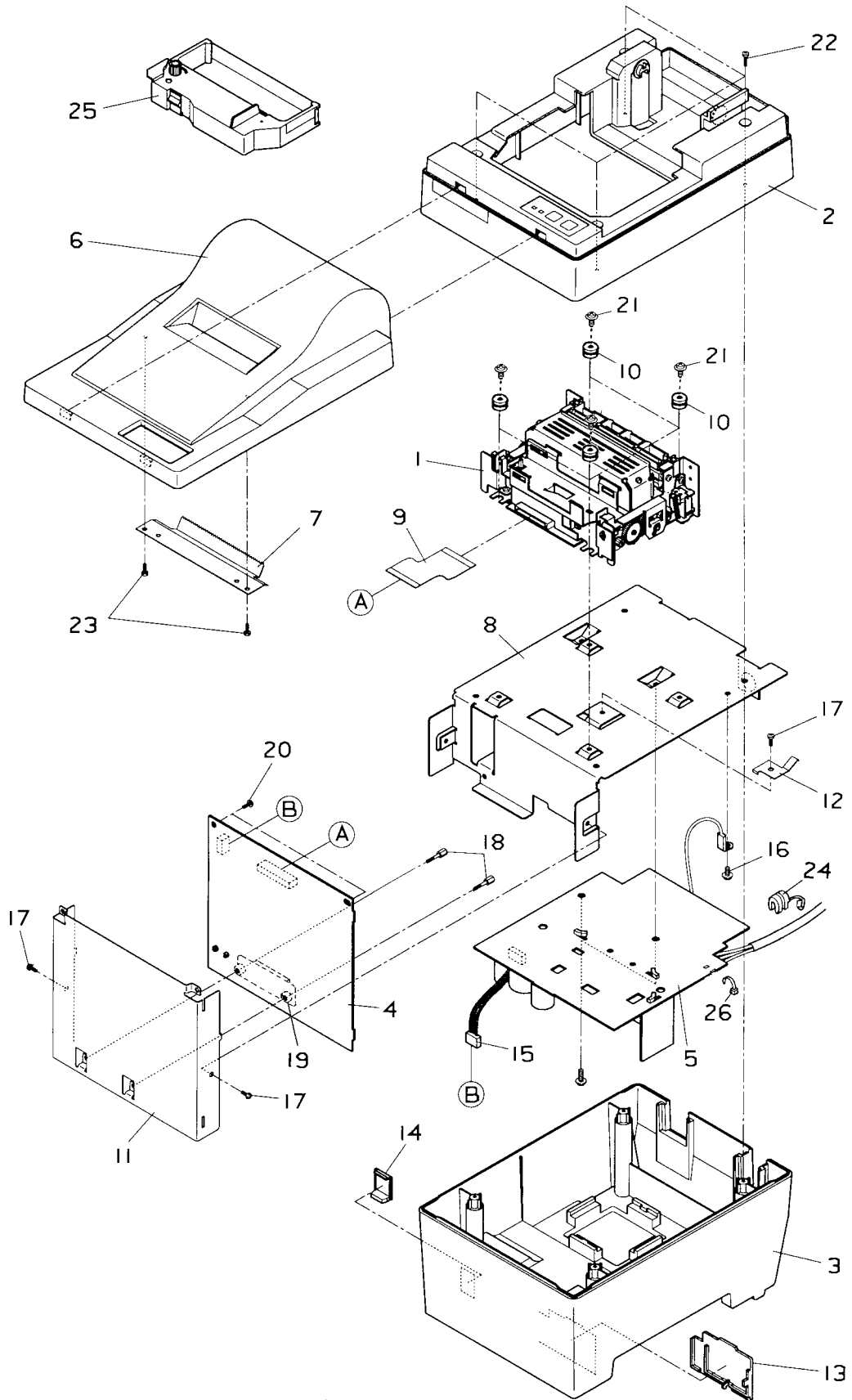
### 6.1.1 Assembly Drawing

#### A. SP212F

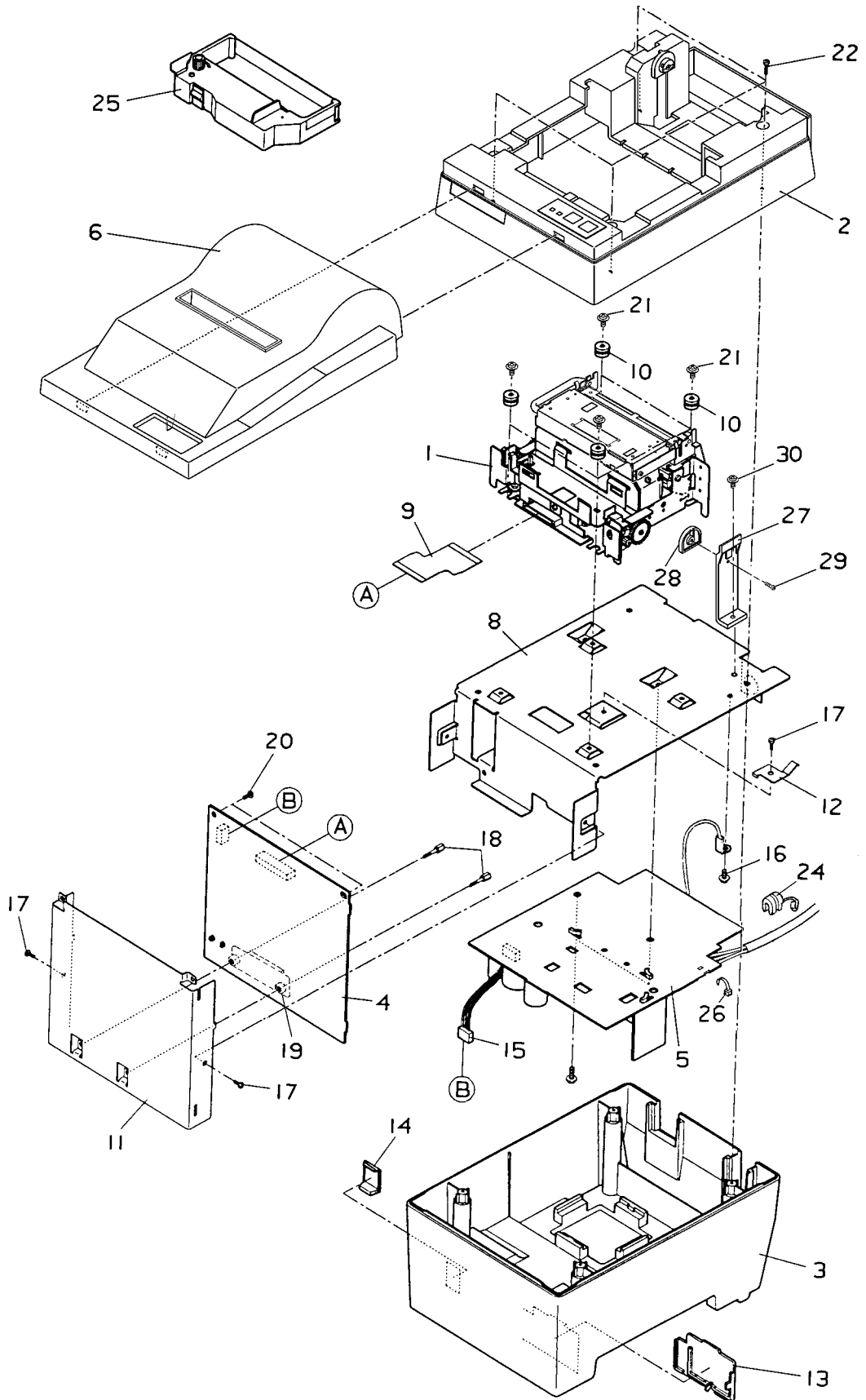


# PARTS LIST

## B. SP216F

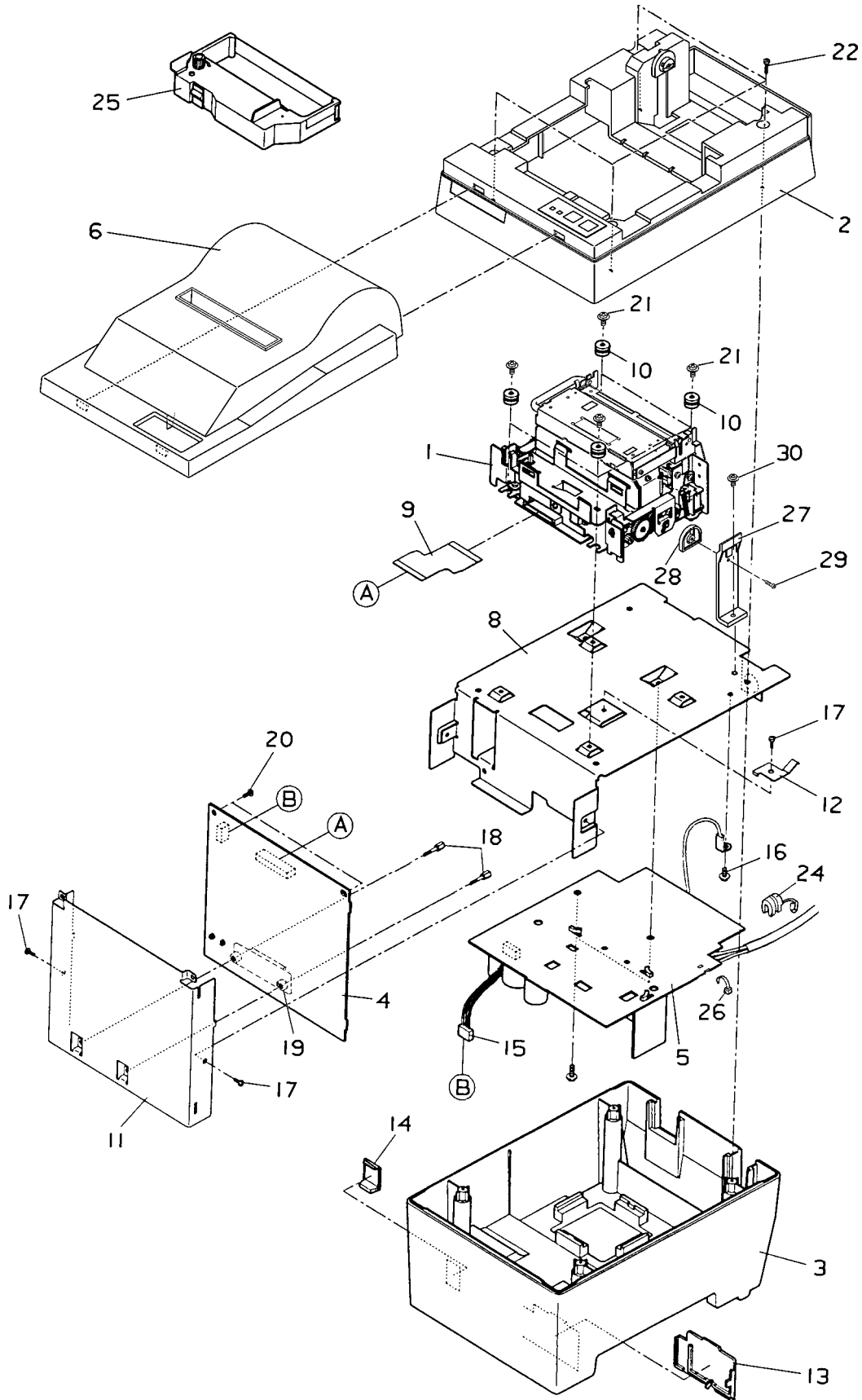


C. SP242F



# PARTS LIST

## D. SP246F



# PARTS LIST

## 6.1.2 Parts List

Printer Assembly

DRWG.NO.	REV.	PARTS NO.	PARTS NAME	Q'TY	REMARKS	RANK
1		38000210	MP212FP-24	1	SP212	S
	#1	38000610	MP216FP-24	1	SP216	S
	#3	38030110	MP242FP-24	1	SP242	S
	#3	38030510	MP246FP-24	1	SP246	S
2	*2	37301010	UPPER CASE UNIT SP2	1		
	#2	37301011	UPPER CASE UNIT SP2	1	SP212/216	
	#3	37301050	UPPER CASE UNIT SP24	1	SP242/246	
3	*2	37300010	LOWER CASE UNIT SP2	1		
	#2	37300011	LOWER CASE UNIT SP2	1		
4		37200020	CONTROL BD UNIT BD212FD-24 US	1	SP212 US :SERIAL	S
		37200030	CONTROL BD UNIT BD212FD-24 EC	1	SP212EC,UK,AS:SERIAL	S
	#1	37200040	CONTROL BD UNIT BD212FC-24	1	SP212 :PARALLEL	S
	#1	37200060	CONTROL BD UNIT BD216FD-24 US	1	SP216 US :SERIAL	S
	#1	37200070	CONTROL BD UNIT BD216FD-24 EC	1	SP216EC,UK,AS:SERIAL	S
	#1	37200080	CONTROL BD UNIT BD216FC-24	1	SP216 :PARALLEL	S
	#3	37200100	CONTROL BD UNIT BD242FC-24	1	SP242 :PARALLEL	S
	#3	37200110	CONTROL BD UNIT BD246FC-24	1	SP246 :PARALLEL	S
5		37309010	POWER SUPPLY UNIT SP2-120 US	1	FOR US	S
		37309030	POWER SUPPLY UNIT SP2-230 EC	1	FOR EC	S
		37309040	POWER SUPPLY UNIT SP2-240 UK	1	FOR UK(240V)	S
	#2	37309140	POWER SUPPLY UNIT SP2-230UK	1	FOR UK(230V)	S
	#2	37309050	POWER SUPPLY UNIT SP2-240 AS	1	FOR AS	S
6	*2	33020020	COVER SP2	1		
	#2	33020022	COVER SP2	1	SP212/216	
	#3	33020080	COVER SP24	1	SP242/246	
7		32970010	TEAR BAR SP2	1	SP212/216	
8	*2	32010010	MAIN CHASSIS SP2	1		
	*3	32010011	MAIN CHASSIS SP2	1		
	#3	32010012	MAIN CHASSIS SP2	1		
9		30720010	CABLE UNIT 23X60 SP2	1		S
10		30290010	DAMPER RUBBER SP2	4		S
11		32010020	BOARD CHASSIS SP2	1	:SERIAL	
	#2	32010030	BOARD CHASSIS P SP2	1	:PARALLEL	
12		82501090	GROUND SPRING SP312	1		S
13	*2	33020010	ROM COVER S SP2	1	:SERIAL	
	#2	33020011	ROM COVER S SP2	1	:SERIAL	
	*2	33020030	ROM COVER P SP2	1	:PARALLEL	
	#2	33020031	ROM COVER P SP2	1	:PARALLEL	
14		83911720	CONNECTOR COVER SP312	1		
15		01914003	SCREW TR 4-10 WS/WF	2		S
16		01903026	SCREW TR 3-5 WB	1		S
17		01903064	SCREW TAT 3-5 CT	3		S
18		04991403	SCREW 17L-003C4 INCH	2	:SERIAL	S
19		04991010	SPACER 57D-6A-PA3X3.6	2	:SERIAL	S
20		01903069	SCREW TAT 3-5 ST-FL	2		S
21		30250010	SCREW 3.0 SP2	2		S
22		01903058	SCREW TAT 3-10 PT	4		S
23		00930603	SCREW TAT 3-6 PT	2	SP212/216	S
24		04991220	CORD BUSHING SR-5N-4	1		
25	*2	30980010	INK RIBBON CARTRIDGE RC200P	1	PURPLE	
	*3	30980011	INK RIBBON CARTRIDGE RC200P	1	PURPLE	
	#3	30980012	INK RIBBON CARTRIDGE RC200P	1	PURPLE	
	*3	30980111	INK RIBBON CARTRIDGE RC200B	1	BLACK	
	#3	30980112	INK RIBBON CARTRIDGE RC200B	1	BLACK	

# PARTS LIST

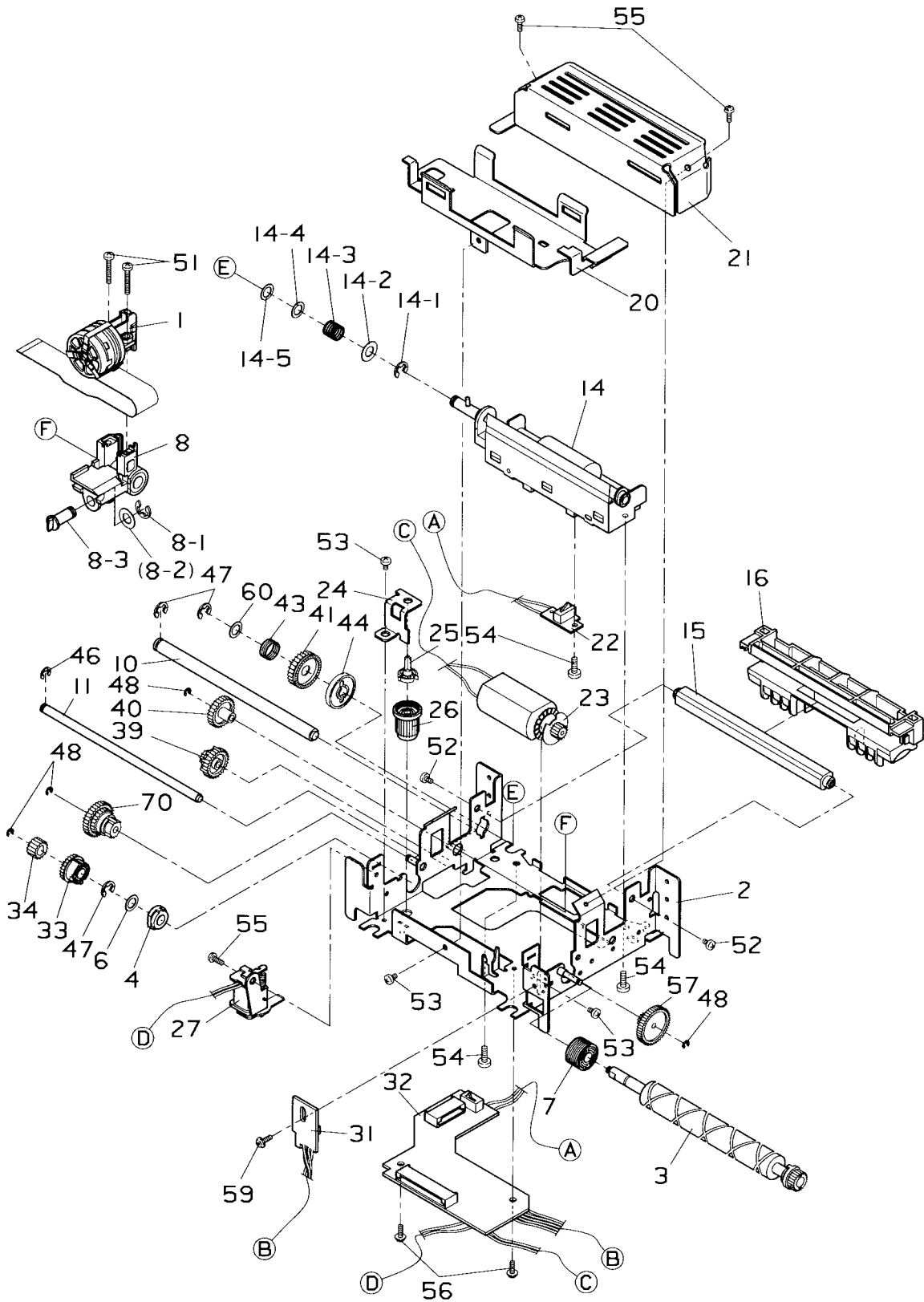
## Printer Assembly

DRWG.NO.	REV.	PARTS NO.	PARTS NAME	Q'TY	REMARKS	RANK
25	*3	30980210	INK RIBBON CARTRIDGE RC200BR	1	BLACK/RED	
	#3	30980211	INK RIBBON CARTRIDGE RC200BR	1	BLACK/RED	
26		04991204	FASTENER T18S	1		S
27	#3	33400010	HOLDER LEVER SP24	1	SP242/246	S
28	#3	33910150	HOLDER SP24	1	SP242/246	S
29	#3	00920803	SCREW TAT 2-8 PT	1	SP242/246	S
30	#3	01903055	SCREW TR 3-8 WS/WF	1	SP242/246	S
-	#2	09990723	FERRITE CORE TFC-23-11-14	1	FOR EC,UK(230V)	
	#2	04991204	FASTENER T18S	1	FOR EC,UK(230V)	
	*2	37300610	TERMINAL COVER UNIT SP2	1	OPTION	
	#2	37300611	TERMINAL COVER UNIT SP2	1	OPTION :SP212/216	

## 6.2 Printer Mechanism

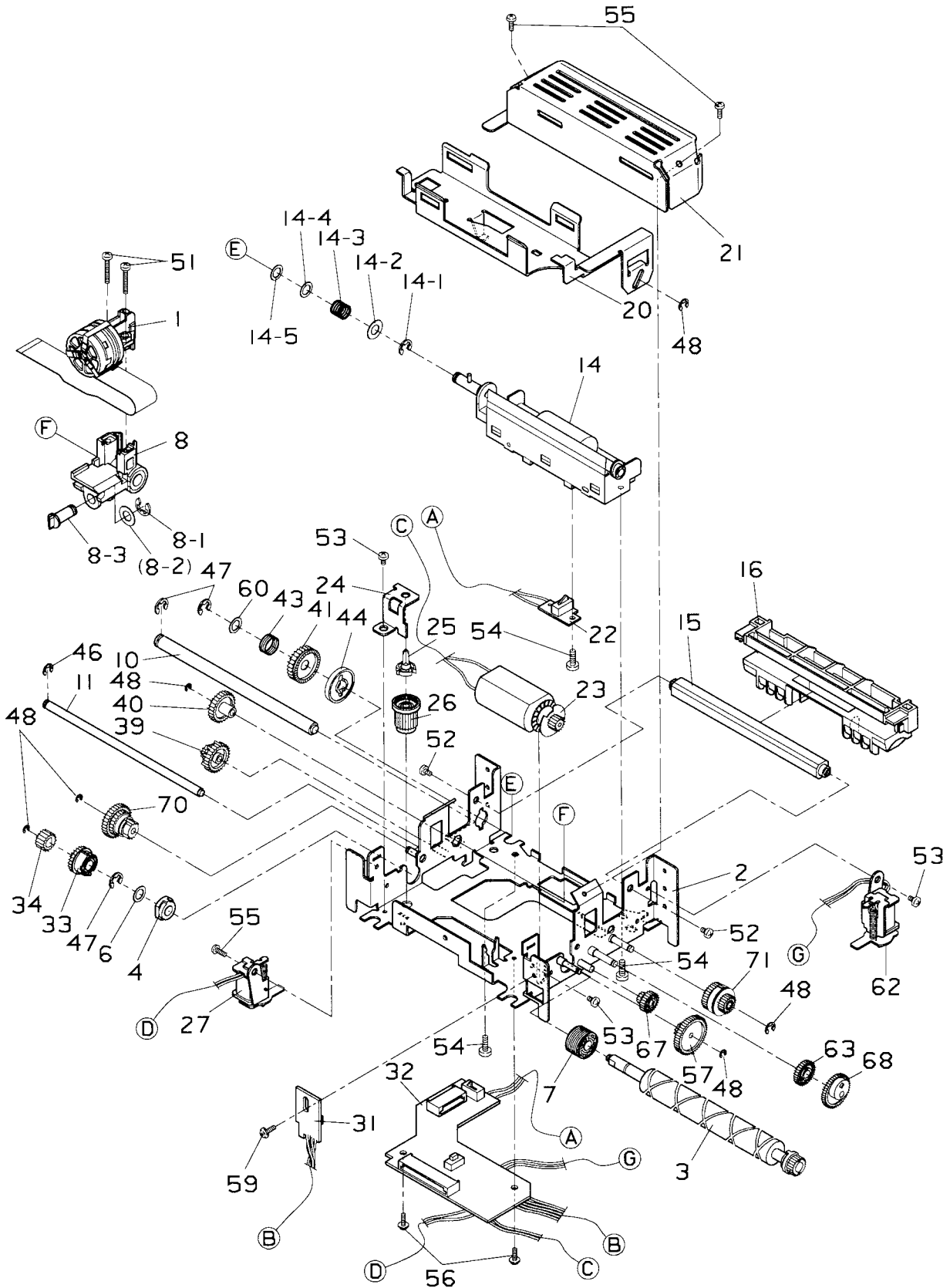
### 6.2.1 Assembly Drawing

#### A. MP212FP



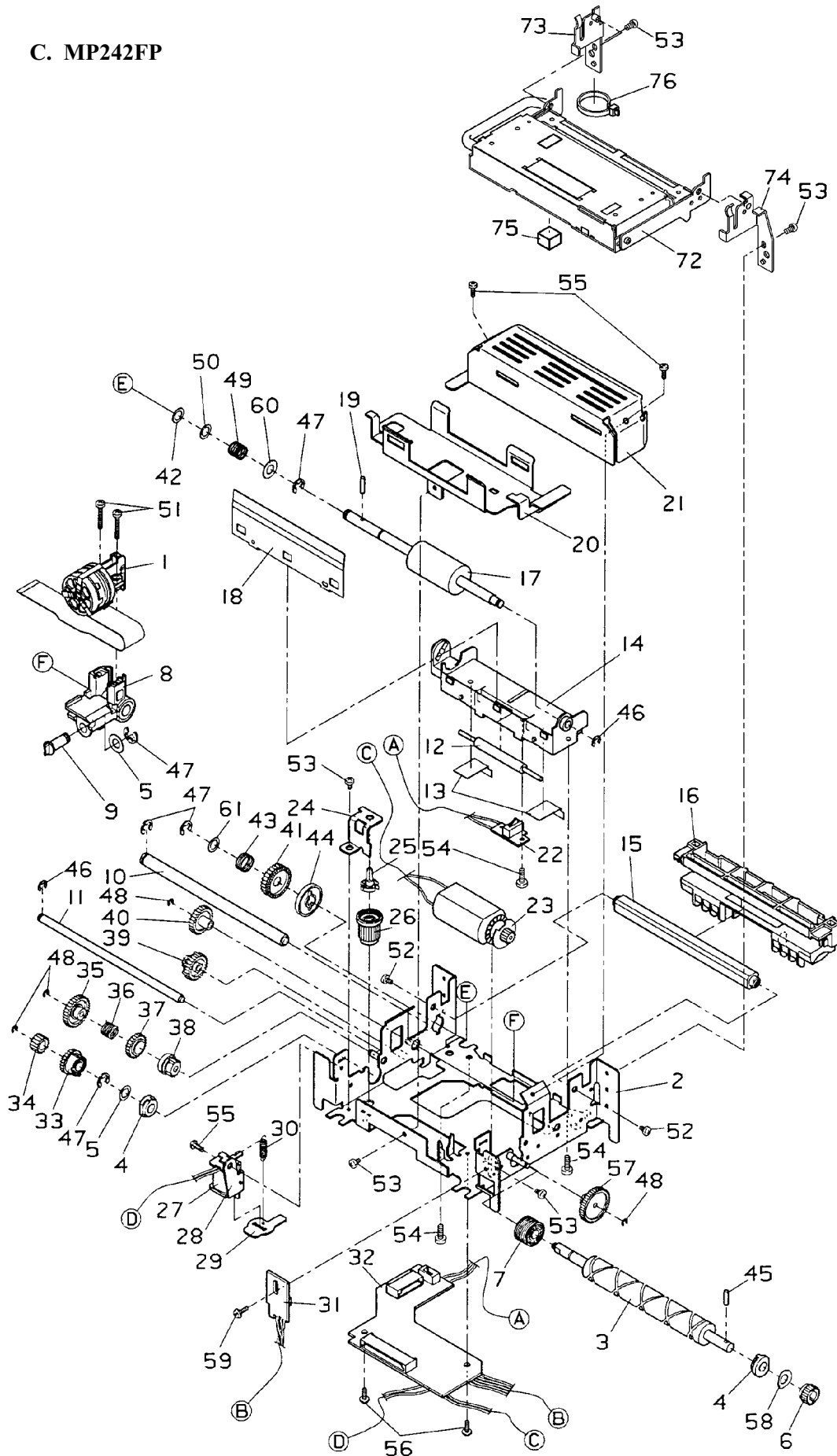
# PARTS LIST

## B. MP216FP



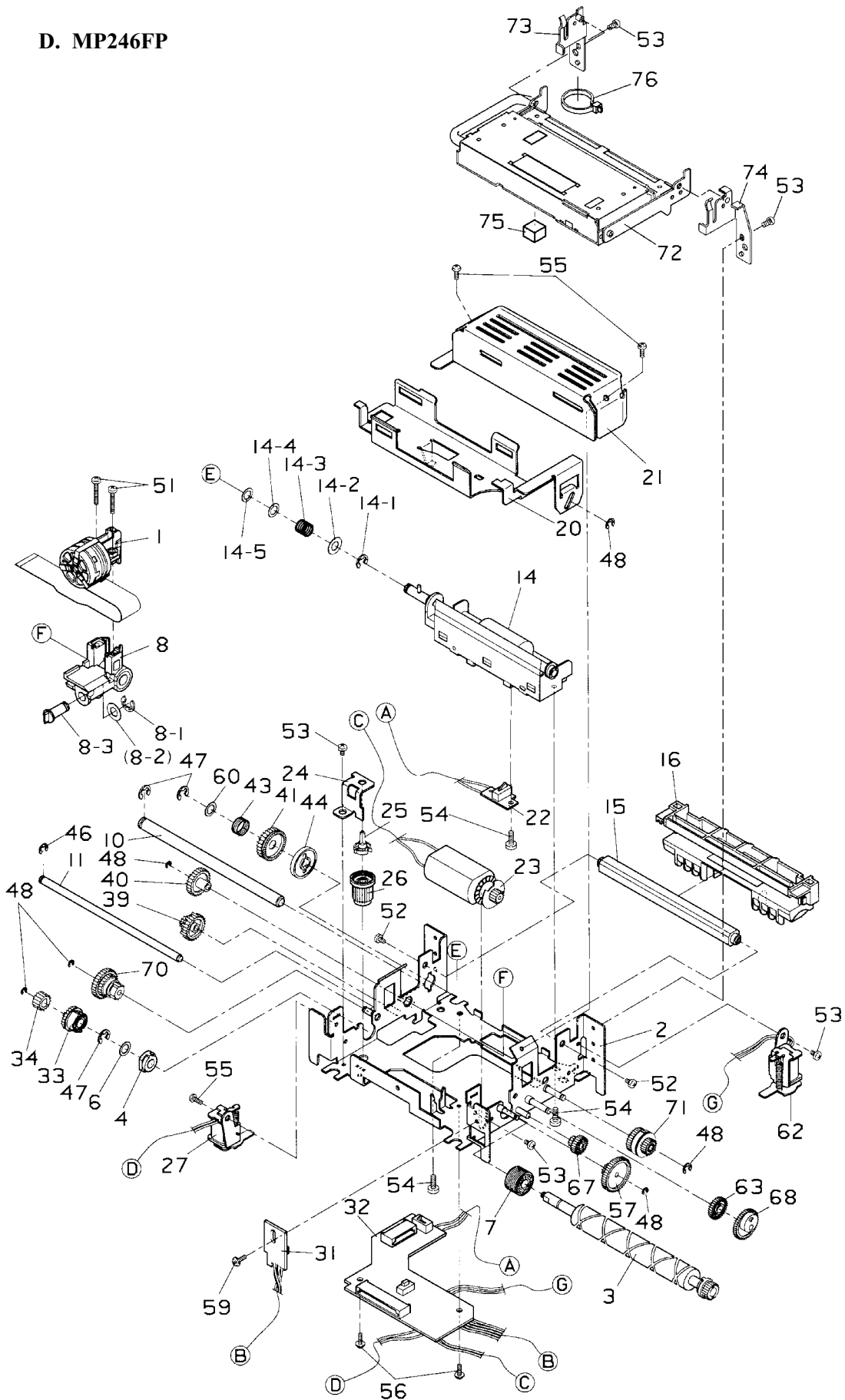


C. MP242FP



# PARTS LIST

## D. MP246FP



# PARTS LIST

## 6.2.2 Parts List

## Printer Mechanism

DRWG.NO.	REV.	PARTS NO.	PARTS NAME	Q'TY	REMARKS	RANK
1		38100110	DP200-24	1		S
2		37000010	FRAME UNIT	MP2	1	MP212/242
	#1	37000020	FRAME UNIT	MP216	1	MP216/246
3	*2	34920010	DRIVE SHAFT	MP2	1	
	#2	37001010	DRIVE SHAFT UNIT	MP2	1	
4		80203041	DRIVE SHAFT BEARING	MP300	1	
6		82500040	WAVE WASHER 1	DT	1	
7		33140010	WORM GEAR	MP2	1	
8	*2	37001310	CARRIAGE ASSY	MP2	1	VER.1
	#2	37001111	CARRIAGE UNIT	MP2	1	VER.2
8-1		04020016	STOP RING SE4.0		1	S
8-2	*2	82500040	WAVE WASHER 1	DT	1	VER.1
	#2					NOT USED :VER.2
8-3	*2	81301760	HALF-NUT	MP300	1	VER.1
	#2	81301761	HALF-NUT	MP300	1	VER.2
10		31360111	CARRIAGE STAY	MP2	1	
11		31360121	CARRIAGE GUIDE STAY	MP2	1	
14	*2	33910011	PAPER GUIDE	MP2	1	
	#2	37003010	PAPER GUIDE UNIT	MP2	1	
14-1		04020016	STOP RING SE4.0		1	S
14-2		02205002	PLAIN WASHER WF5X10X0.8		1	
14-3		30520120	SPRING C070-060-0140		1	
14-4		02305025	POLY-SLIDER WP5X0.25		1	S
14-5	*1	82500430	WASHER 5.2X0.15	832	3	
	#1	82500430	WASHER 5.2X0.15	832	1	
15		31375010	PLATEN	MP2	1	
16		33902010	PLATEN BASE	MP2	1	
20		32980010	RIBBON BASE S	MP2	1	MP212/242
	*2	32980020	RIBBON BASE W	MP2	1	MP216/246
	#2	32980021	RIBBON BASE W	MP2	1	MP216/246
21		32910010	HEAD COVER	MP2	1	
22		37002020	PE SWITCH UNIT	MP2	1	S
23		37002010	MOTOR 24V UNIT	MP2	1	S
24		32981010	RIBBON SHAFT GUIDE	MP2	1	
25		33980010	RIBBON SHAFT	MP2	1	
26		33140110	WORM WHEEL	MP2	1	
27	*2	37008310	COIL 24V ASSY	MP2	1	S
	#2	37008010	SOLENOID 24V UNIT	MP2	1	S
31		37007610	TIMING DETECTOR BD UNIT	MP2	1	S
32	*3	37007010	TERMINAL BOARD UNIT	MP2	1	MP212/242
	#3	37007011	TERMINAL BOARD UNIT	MP2	1	MP212/242
	*3	37007020	TERMINAL BOARD UNIT	MP216	1	MP216/246
	#3	37007021	TERMINAL BOARD UNIT	MP216	1	MP216/246
33	*1	33101120	CLUTCH CLAW GEAR	MP2	1	
	*1	33101120	CLUTCH CLAW GEAR	MP2	1	
	#1	33101121	CLUTCH CLAW GEAR	MP2	1	
34		33100020	DRIVE SHAFT GEAR L	MP2	1	
39		33101220	INTERMITTENT GEAR R	MP2	1	
40		33102110	GEAR 28X0.5	MP2	1	
41		33102010	PAPER FEED GEAR	MP2	1	
43	*2	30520110	SPRING C095-060-0090		1	
	#2	30520100	SPRING C094-060-0073		1	
44		33110010	PAPER FEED RATCHET	MP2	1	

# PARTS LIST

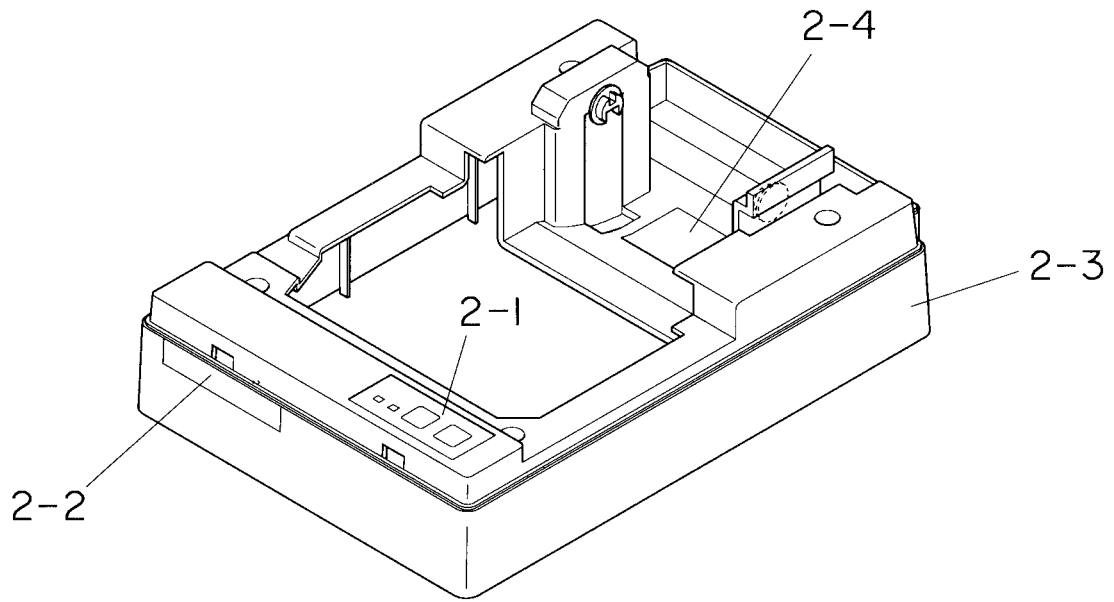
## Printer Mechanism

DRWG.NO.	REV.	PARTS NO.	PARTS NAME	Q'TY	REMARKS	RANK
46		04020015	STOP RING SE3.0	1		S
47		04020016	STOP RING SE4.0	3		S
48		04020010	STOP RING SE2.0	4	MP212/242	
	#1	04020010	STOP RING SE2.0	5	MP216/246	
51	*2	01902620	SCREW TAT 2.6-14 PT	2		S
	#2	01902631	SCREW TAT 2.6-14 PT-WF	2		S
52		00626404	SCREW TR 2.6-4	2		S
53		00926503	SCREW TAT 2.6-5 CT	3	MP212/216	S
	#3	00926503	SCREW TAT 2.6-5 CT	5	MP242/246	S
54		00926803	SCREW TAT 2.6-8 PT	3		S
55	*2	01902617	SCREW TAT 2.6-5 CT-FL	3		
	#2	01902618	SCREW TAT 2.6-4	3		
56		01902617	SCREW TAT 2.6-5 CT-FL	2		S
57		33100110	GEAR 12X45X0.4	MP2 1		
59		01902622	SCREW TAT 2.6-5 WF	1		
60		02205001	PLAIN WASHER WF5X12X0.8	1		
62	*2	37008320	COIL 24V ASSY	MP216 1	MP216/246	S
	#2	37008020	SOLENOID 24V UNIT	MP216 1	MP216/246	S
63	#1	33102120	GEAR 28X0.4	MP216 1	MP216/246	
67	#1	33100120	GEAR 12X24X0.4	MP216 1	MP216/246	
68	#1	33101310	CAM GEAR	MP216 1	MP216/246	
70	#1	37006020	PAPER FEED CLUTCH UNIT	MP2 1		
71	#1	37004010	RS CLUTCH UNIT	MP216 1	MP216/246	
72	#3	37002620	CUTTER ACS230 UNIT	MP24 1	MP242/246	
73	#3	37000560	HOLDER PLATE UNIT L	MP24 1	MP242/246	
74	#3	37000550	HOLDER PLATE UNIT R	MP24 1	MP242/246	
75	#3	30290110	STOPPER RUBBER	MP2 1	MP242/246	
76	#3	04991204	FASTENER T18S	1	MP242/246	

**6.3 Sub-assembly**

**6.3.1 Upper Case Unit**

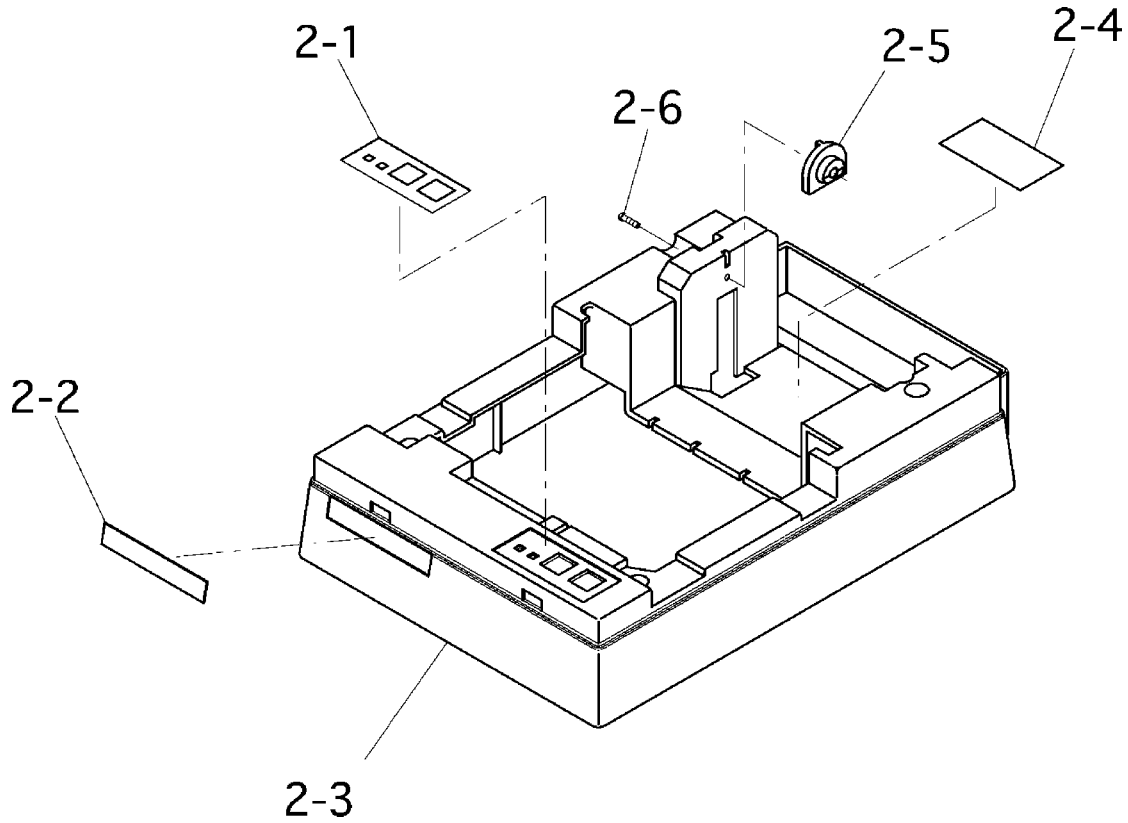
**A. SP212/216**



DRWG.NO.	REV.	PARTS NO.	PARTS NAME	Q'TY	REMARKS	RANK
2-1		30060010	OPERATION SHEET	SP2	1	
2-2		30070010	BRAND SEAL	SP2	1	
2-3	*2	33021020	UPPER CASE	SP2	1	
	#2	33021022	UPPER CASE	SP2	1	
2-4		30060110	PAPER SET SEAL	SP2	1	

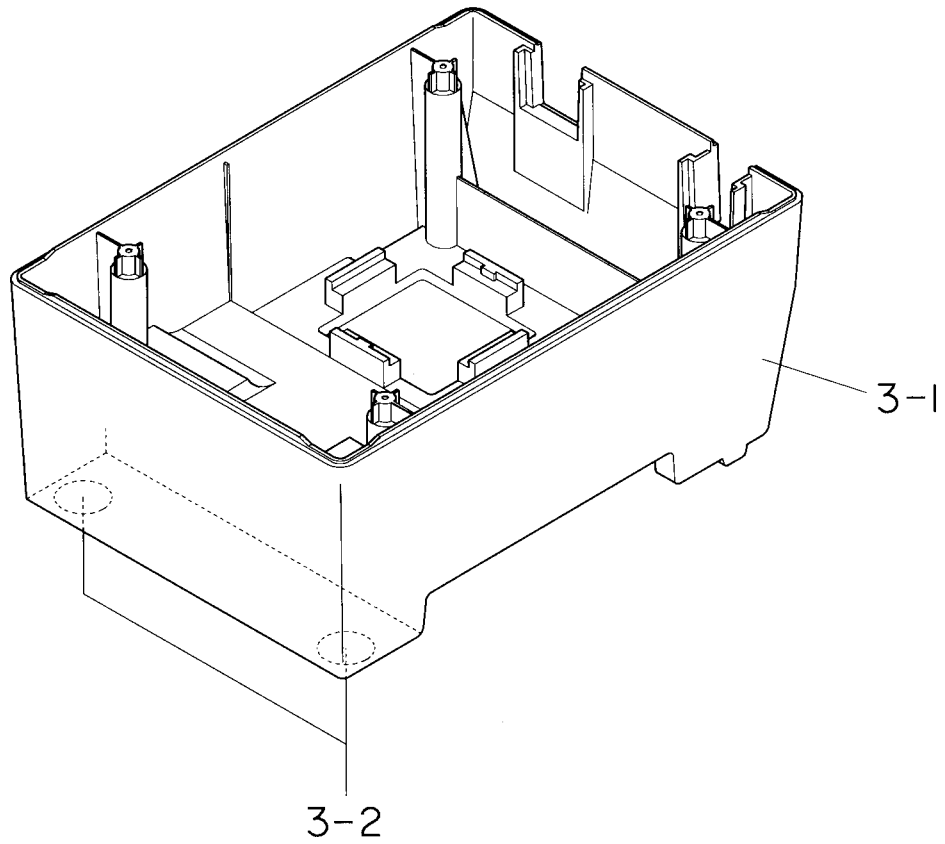
# PARTS LIST

## B. SP242/246



DRWG.NO.	REV.	PARTS NO.	PARTS NAME	Q'TY	REMARKS	RANK
2-1		30060010	OPERATION SHEET	SP2	1	
2-2		30070010	BRAND SEAL	SP2	1	
2-3		33021080	UPPER CASE	SP24	1	
2-4		30060110	PAPER SET SEAL	SP2	1	
2-5		33910150	HOLDER	SP24	1	
2-6		00920803	SCREW TAT 2-8 PT		1	

**6.3.2 Lower Case Unit**

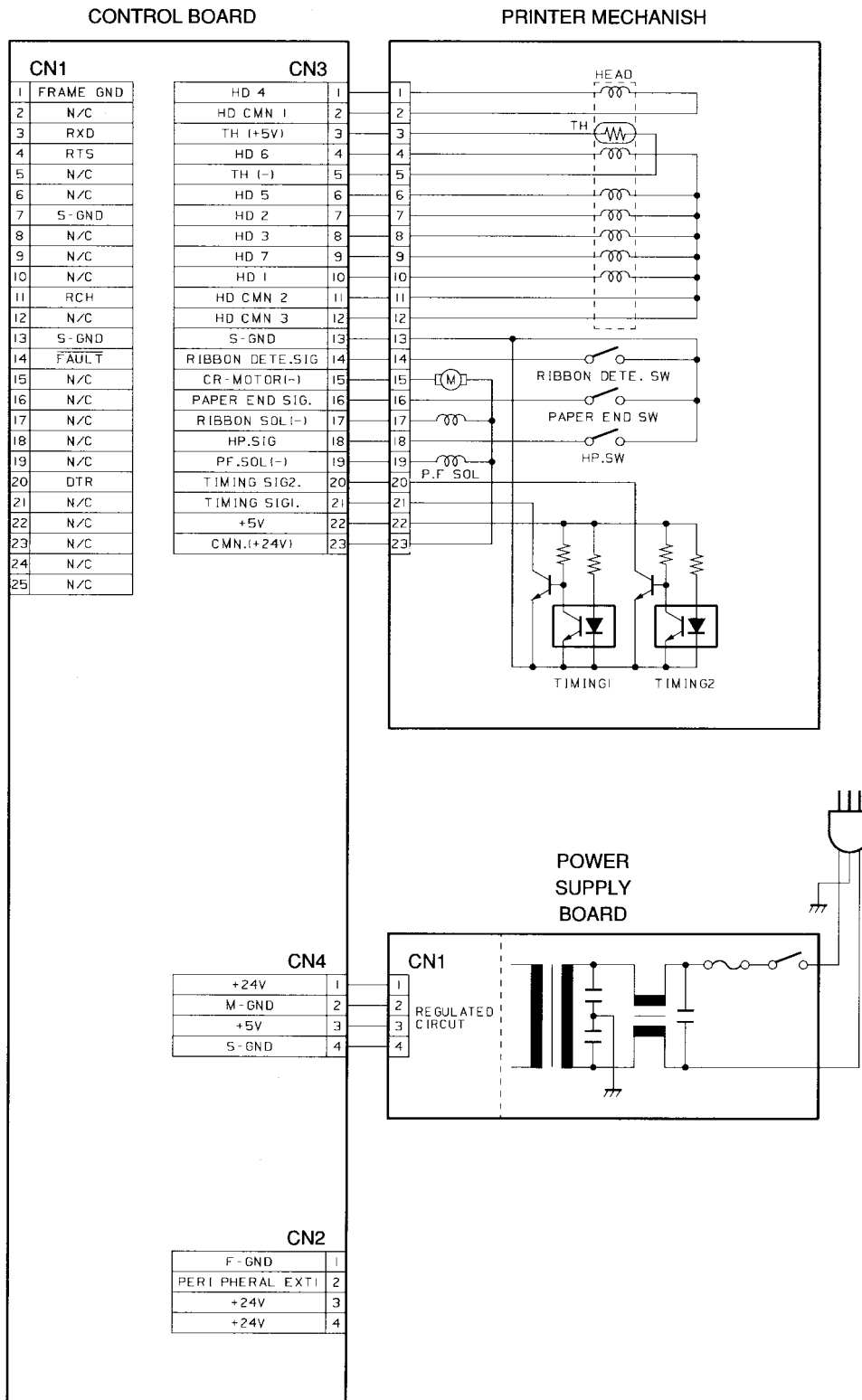


DRWG.NO.	REV.	PARTS NO.	PARTS NAME	Q'TY	REMARKS	RANK
3-1	*2	33021010	LOWER CASE SP2	1		
	#2	33021011	LOWER CASE SP2	1		
3-2		80991610	RUBBER FOOT NB24-10	2		

# PARTS LIST

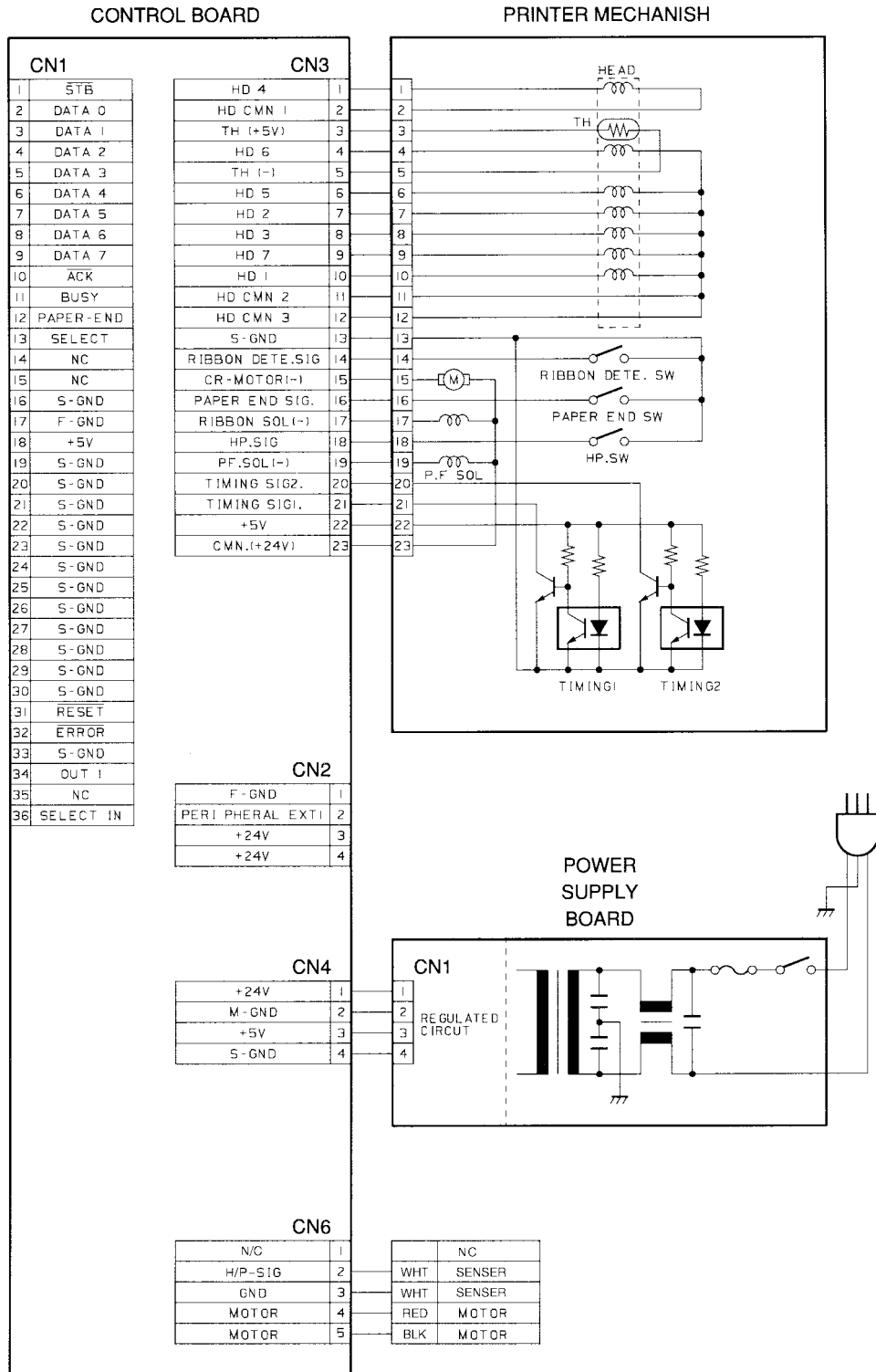
## 6.4 Wiring Schematic of Printer

### 6.4.1 For Serial Interface





6.4.2 For Parallel Interface



# PARTS LIST

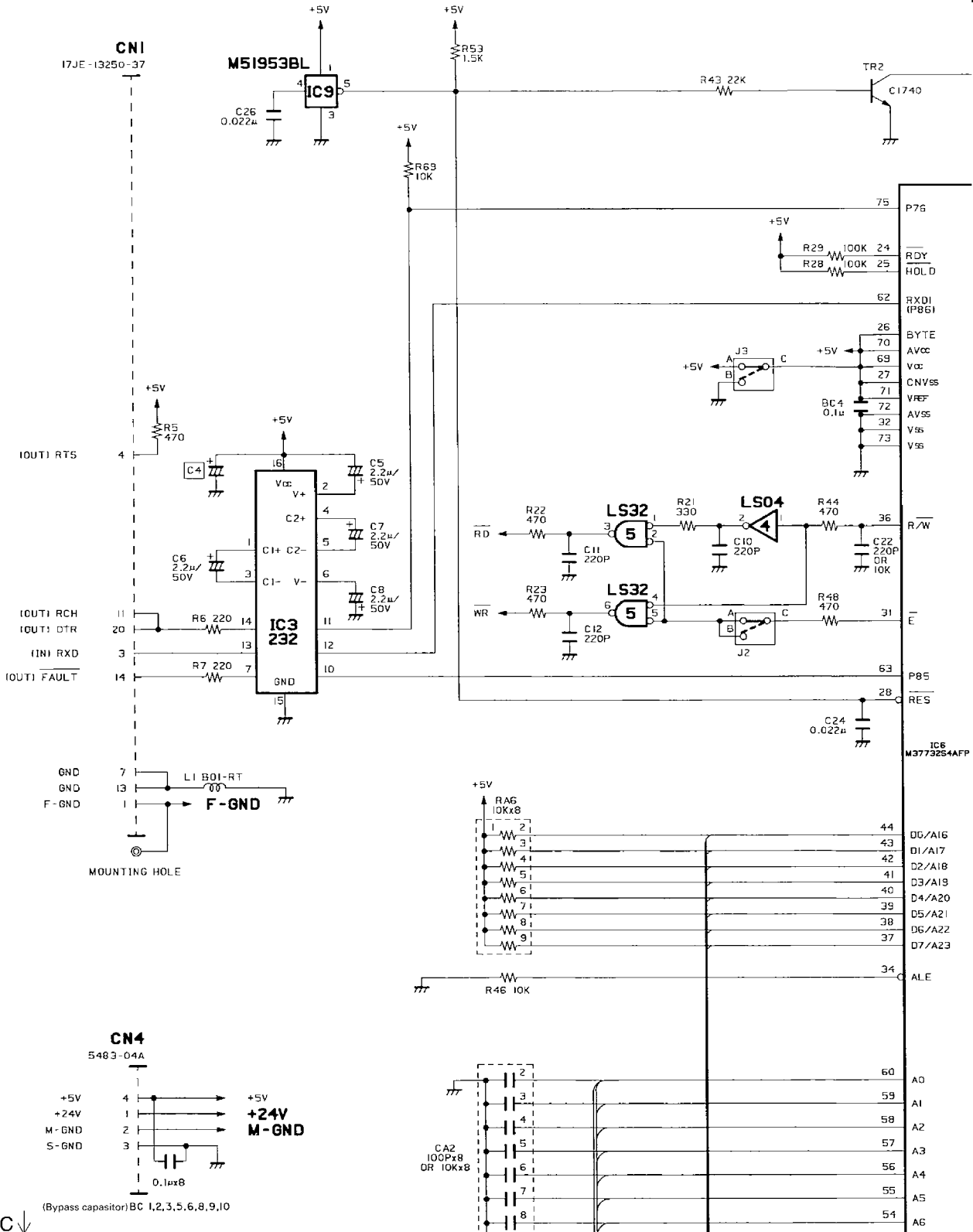
## 6.5 Main Logic Board

### 6.5.1 For Serial Interface

#### 6.5.1.1 Circuit Diagram

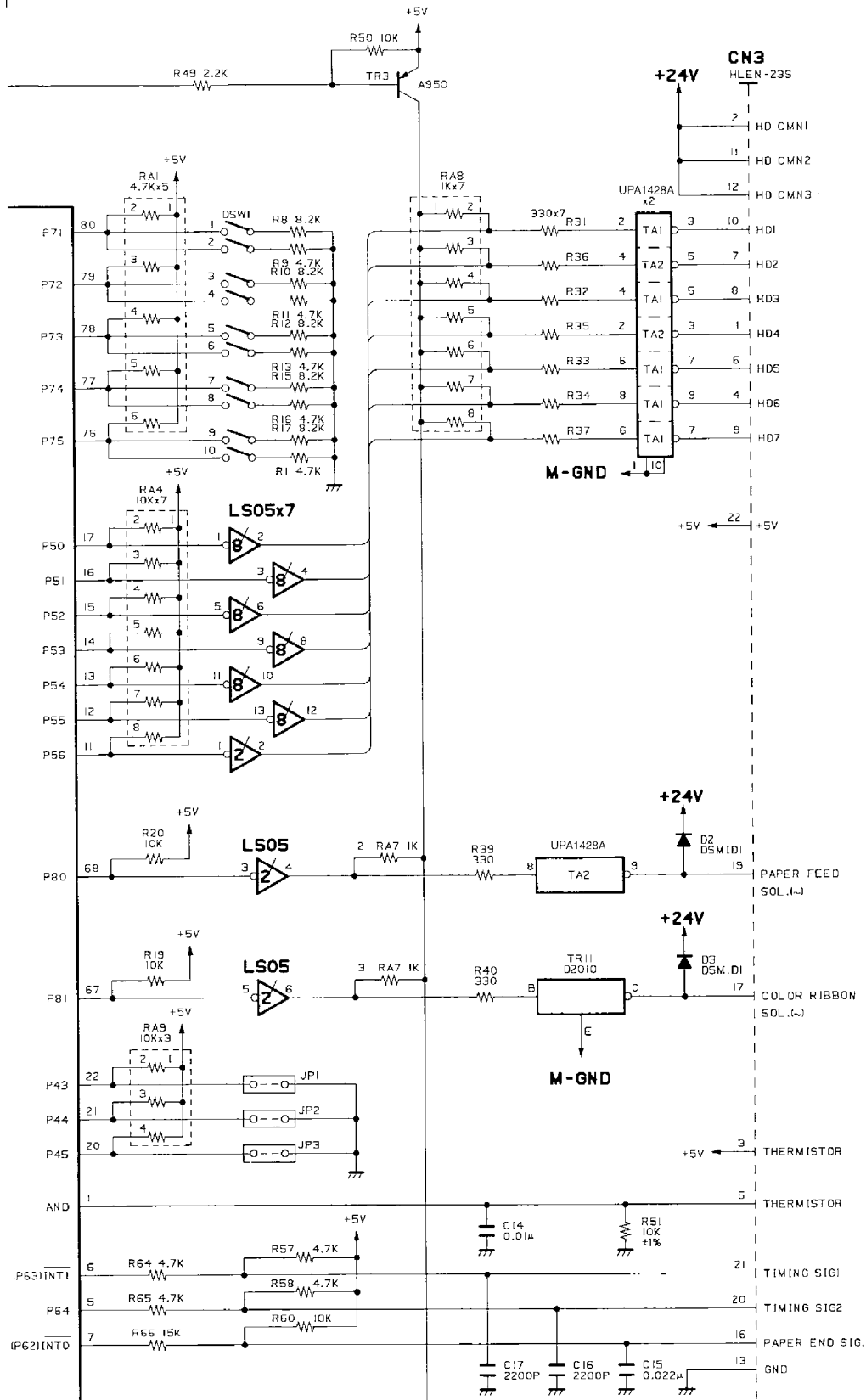
SIDE B

A



← SIDE A

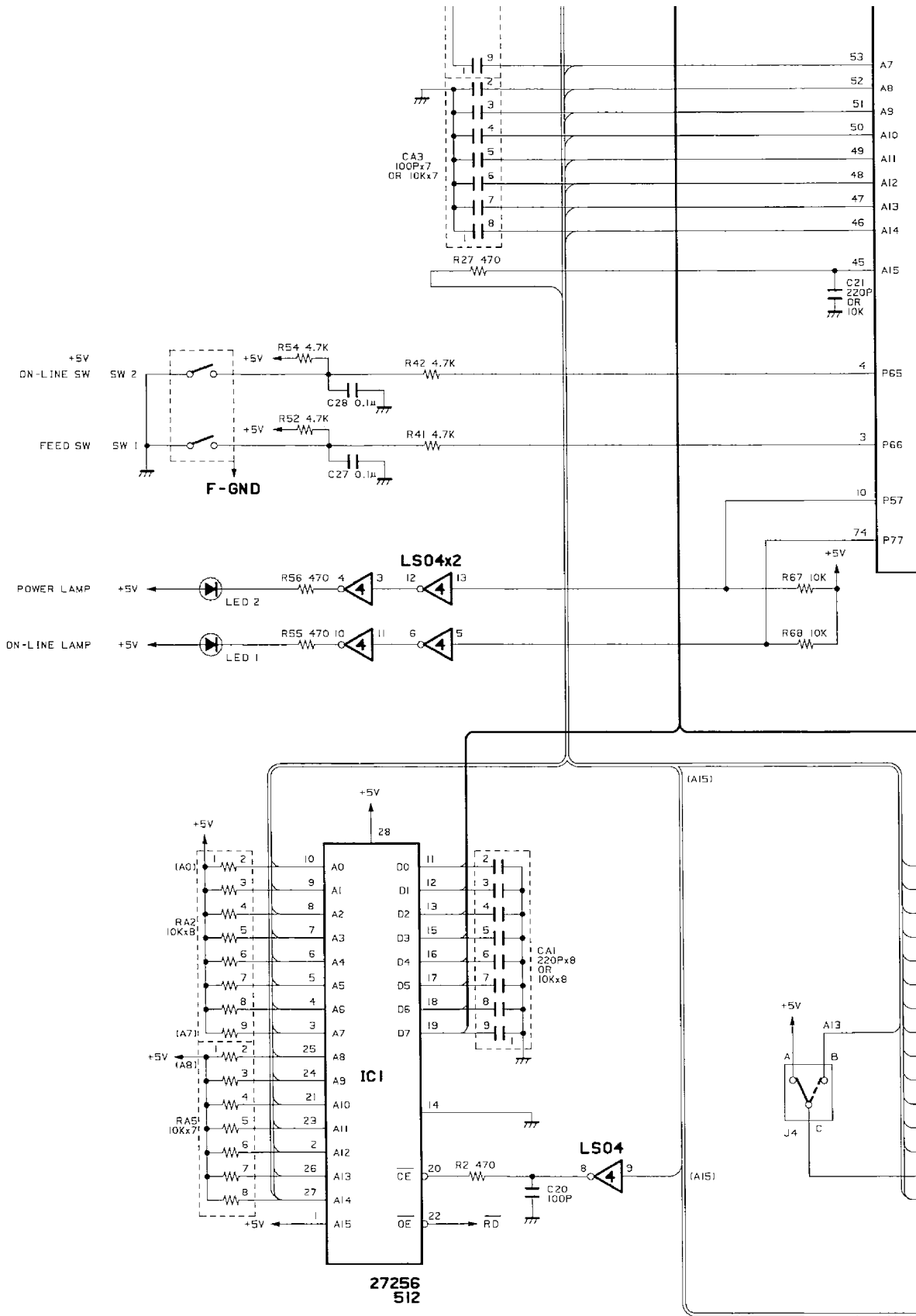
B



↓ D

# PARTS LIST

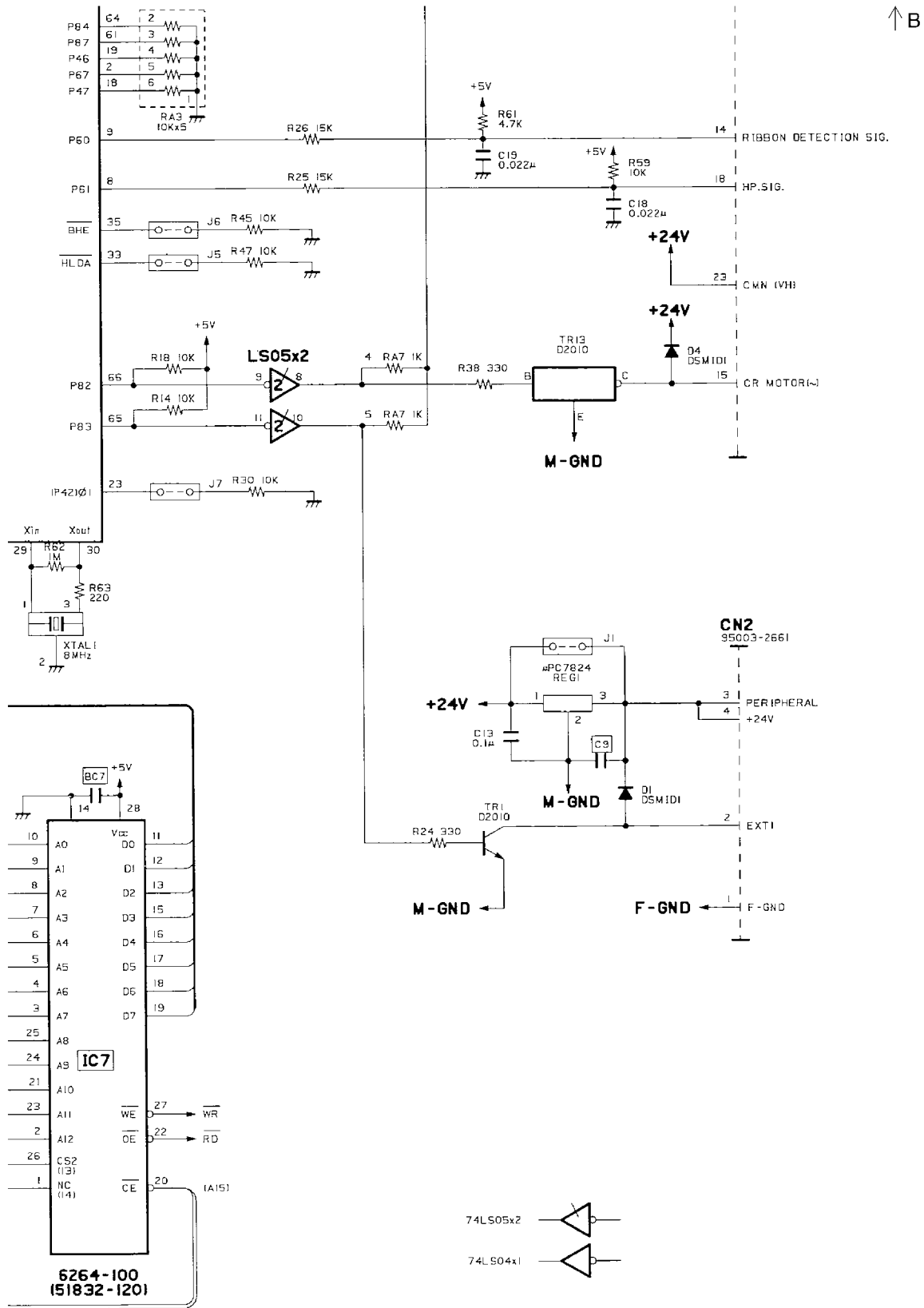
A ^



C

NOTE1: IC7, C4, C9, AND BC7 is not mounted.

SIDE D →



← SIDE C

D

# PARTS LIST

## 6.5.1.2 Parts List

## Main Logic Board (Serial Interface)

DRWG.NO.	REV.	PARTS NO.	PARTS NAME	Q'TY	REMARKS	RANK
IC1		08222026	EPROM 27256-150NS	1	SP2S.F.**	
IC2	*3	08210142	TTL IC 74LS05FP*TL	1		
	#3	08210126	TTL IC 74LS05FP*EL	1		
IC3	*3	08200155	IC-I/F HD151232FP*TL	1		
	#3	08200157	IC-I/F ADM232LJR*SOL16	1		
IC4	*3	08210141	TTL IC 74LS04FP*TL	1		
	#3	08211037	TTL IC 74LS04FP*EL	1		
IC5	*3	08210143	TTL IC 74LS32FP*TL	1		
	#3	08211038	TTL IC 74LS32FP*EL	1		
IC6		08250018	CPU M37732S4AFP	1		
IC7					NOT MOUNTED	
IC8	*3	08210142	TTL IC 74LS05FP*TL	1		
	#3	08210126	TTL IC 74LS05FP*EL	1		
IC9		08200109	IC-RESET M51953BL	1		
R1		06054725	RD RESISTOR 4.7 K-OHM 1/6W	1		
R2		06054714	RD RESISTOR 470 OHM 1/6W	1		
R3-4					NOT USED	
R5		06054714	RD RESISTOR 470 OHM 1/6W	1		
R6-7		06052211	RD RESISTOR 220 OHM 1/6W	2		
R8		06058224	RD RESISTOR 8.2 K-OHM 1/6W	1		
R9		06054725	RD RESISTOR 4.7 K-OHM 1/6W	1		
R10		06058224	RD RESISTOR 8.2 K-OHM 1/6W	1		
R11		06054725	RD RESISTOR 4.7 K-OHM 1/6W	1		
R12		06058224	RD RESISTOR 8.2 K-OHM 1/6W	1		
R13		06054725	RD RESISTOR 4.7 K-OHM 1/6W	1		
R14		06051034	RD RESISTOR 10 K-OHM 1/6W	1		
R15		06058224	RD RESISTOR 8.2 K-OHM 1/6W	1		
R16		06054725	RD RESISTOR 4.7 K-OHM 1/6W	1		
R17		06058224	RD RESISTOR 8.2 K-OHM 1/6W	1		
R18-20		06051034	RD RESISTOR 10 K-OHM 1/6W	3		
R21		06053314	RD RESISTOR 330 OHM 1/6W	1		
R22-23		06054714	RD RESISTOR 470 OHM 1/6W	2		
R24		06053314	RD RESISTOR 330 OHM 1/6W	1		
R25-26		06051535	RD RESISTOR 15 K-OHM 1/6W	2		
R27		06054714	RD RESISTOR 470 OHM 1/6W	1		
R28-29		06051044	RD RESISTOR 100 K-OHM 1/6W	2		
R30		06051034	RD RESISTOR 10 K-OHM 1/6W	1		
R31-39		06053314	RD RESISTOR 330 OHM 1/6W	9		
R40	#1	06053314	RD RESISTOR 330 OHM 1/6W	1	SP216	
R41-42		06054725	RD RESISTOR 4.7 K-OHM 1/6W	2		
R43		06052234	RD RESISTOR 22 K-OHM 1/6W	1		
R44		06054714	RD RESISTOR 470 OHM 1/6W	1		
R45-47		06051034	RD RESISTOR 10 K-OHM 1/6W	3		
R48		06054714	RD RESISTOR 470 OHM 1/6W	1		
R49		06052224	RD RESISTOR 2.2 K-OHM 1/6W	1		
R50		06051034	RD RESISTOR 10 K-OHM 1/6W	1		
R51		06251034	RN RESISTOR 10 K-OHM 1/6W	1		
R52		06054725	RD RESISTOR 4.7 K-OHM 1/6W	1		
R53		06051525	RD RESISTOR 1.5 K-OHM 1/6W	1		
R54		06054725	RD RESISTOR 4.7 K-OHM 1/6W	1		
R55-56		06054714	RD RESISTOR 470 OHM 1/6W	2		
R57-58		06054725	RD RESISTOR 4.7 K-OHM 1/6W	2		
R59-60		06051034	RD RESISTOR 10 K-OHM 1/6W	2		

# PARTS LIST

## Main Logic Board (Serial Interface)

DRWG.NO.	REV.	PARTS NO.	PARTS NAME	Q'TY	REMARKS	RANK
R61		06054725	RD RESISTOR 4.7 K-OHM 1/6W	1		
R62		06051051	RD RESISTOR 1 M-OHM 1/6W	1		
R63		06052211	RD RESISTOR 220 OHM 1/6W	1		
R64-65		06054725	RD RESISTOR 4.7 K-OHM 1/6W	2		
R66		06051535	RD RESISTOR 15 K-OHM 1/6W	1		
R67-69		06051034	RD RESISTOR 10 K-OHM 1/6W	3		
C1-3					NOT USED	
C4					NOT MOUNTED	
C5-8		05052255	CHEM. CAPA. 2.2UF 50V	4		
C9					NOT MOUNTED	
C10-12		05152212	CERA. CAPA. 220PF 50V	3		
C13		05151042	CERA. CAPA. 0.1UF 50V	1		
C14		05151033	CERA. CAPA. 0.01UF 50V	1		
C15		05152234	CERA. CAPA. 0.022UF 50V	1		
C16-17		05152225	CERA. CAPA. 2200PF 50V	2		
C18		05152234	CERA. CAPA. 0.022UF 50V	1		
C19	*1	05154714	CERA. CAPA. 470PF 50V	1		
	#1	05152234	CERA. CAPA. 0.022UF 50V	1		
C20		05151015	CERA. CAPA. 100PF 50V	1		
C21-22		05152212	CERA. CAPA. 220PF 50V	2		
C23					NOT USED	
C24		05152234	CERA. CAPA. 0.022UF 50V	1		
C25					NOT USED	
C26		05152234	CERA. CAPA. 0.022UF 50V	1		
C27-28		05131044	CERA. CAPA. 0.1UF 25V	2		
BC1		05532234	CAPACITOR 0.022UF 25V	1		
BC2-3		05152234	CERA. CAPA. 0.022UF 50V	2		
BC4		05131044	CERA. CAPA. 0.1UF 25V	1		
BC5-6		05152234	CERA. CAPA. 0.022UF 50V	2		
BC7					NOT MOUNTED	
BC8-10		05152234	CERA. CAPA. 0.022UF 50V	3		
TA1-2	*2	07650048	TRANSISTOR ARRAY STA471A=S	2		
	#2	07650056	TRANSISTOR ARRAY UPA1428AH	2		
TR1		07320101	TRANSISTOR 2SD2010	1		
TR2		07227853	TRANSISTOR 2SC1740SE	1		
TR3		07009502	TRANSISTOR 2SA950	1		
TR4-10					NOT USED	
TR11	#1	07320101	TRANSISTOR 2SD2010	1	SP216	
TR12					NOT USED	
TR13		07320101	TRANSISTOR 2SD2010	1		
REG1		08202011	IC-REG UPC7824	1		
D1-2		08000040	DIODE DSM1D1	2		
D3	#1	08000040	DIODE DSM1D1	1	SP216	
D4		08000040	DIODE DSM1D1	1		
LED1-2		08300136	LED SLZ-390B	2		
RA1		06584724	RESIS. ARRAY 4.7K-OHM 1/8W 5EL	1		
RA2		06581032	RESIS. ARRAY 10 K-OHM 1/8W 8EL	1		
RA3		06581036	RESIS. ARRAY 10 K-OHM 1/8W 5EL	1		
RA4-5		06581037	RESIS. ARRAY 10 K-OHM 1/8W 7EL	2		
RA6		06581032	RESIS. ARRAY 10 K-OHM 1/8W 8EL	1		
RA7		06581023	RESIS. ARRAY 1 K-OHM 1/8W 4EL	1		
RA8		06581026	RESIS. ARRAY 1 K-OHM 1/8W 7EL	1		
RA9		06581030	RESIS. ARRAY 10 K-OHM 1/8W 3EL	1		

# PARTS LIST

---

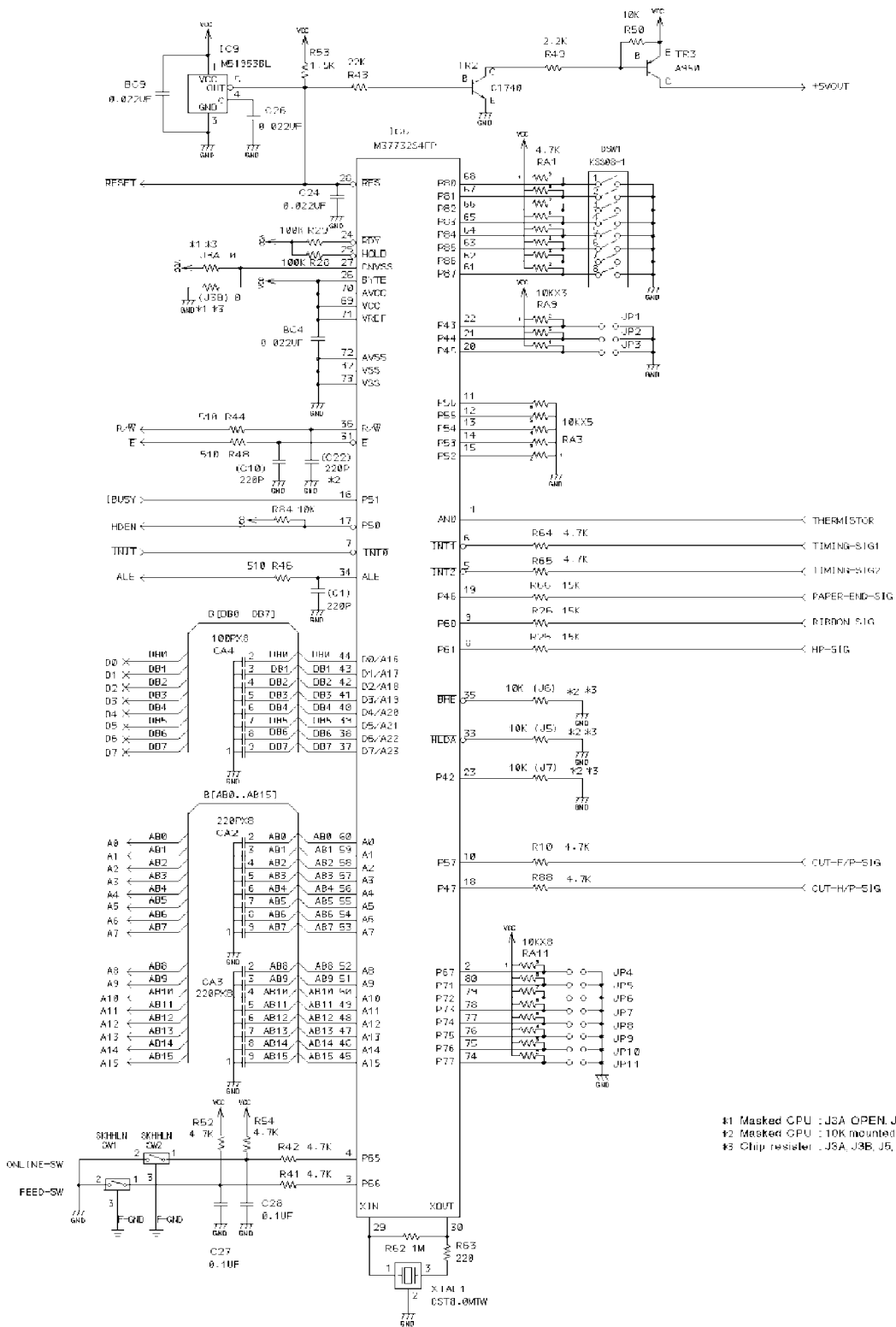
## Main Logic Board (Serial Interface)

DRWG.NO.	REV.	PARTS NO.	PARTS NAME	Q'TY	REMARKS	RANK
CA1		05652212	CAPA. ARRAY 220PF 50V 8EL	1		
CA2		05651012	CAPA. ARRAY 100PF 50V 8EL	1		
CA3		05651018	CAPA. ARRAY 100PF 50V 7EL	1		
CN1		09100566	CONNECTOR 17JE-13250-37	1		
CN2		09100567	CONNECTOR 95003-2661	1		
CN3		09100495	CONNECTOR HLEM23S-1	1		
CN4		09100317	CONNECTOR 5483-04A	1		
CN5					NOT USED	
DSW1		09090054	DIP SWITCH SD-10ZL	1		
SW1-2		09010055	PUSH SWITCH SKHHLN	2		
X1		09250047	CERA. OSCILLATOR CST8.0MTW	1		
L1		09990705	BEADS INDUCTOR B01-RT	1		



6.5.2 For Parallel Interface

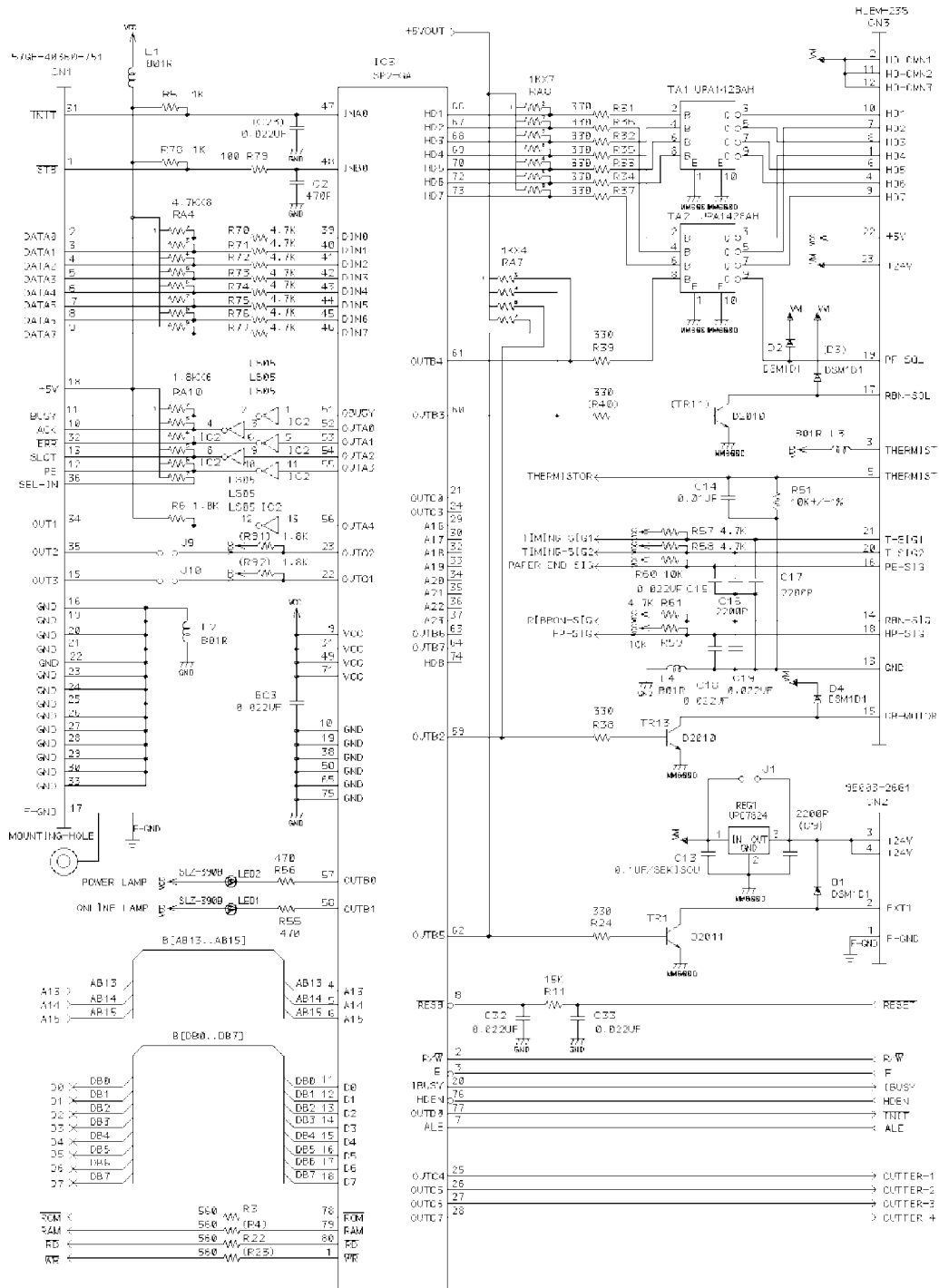
6.5.2.1 Circuit Diagram



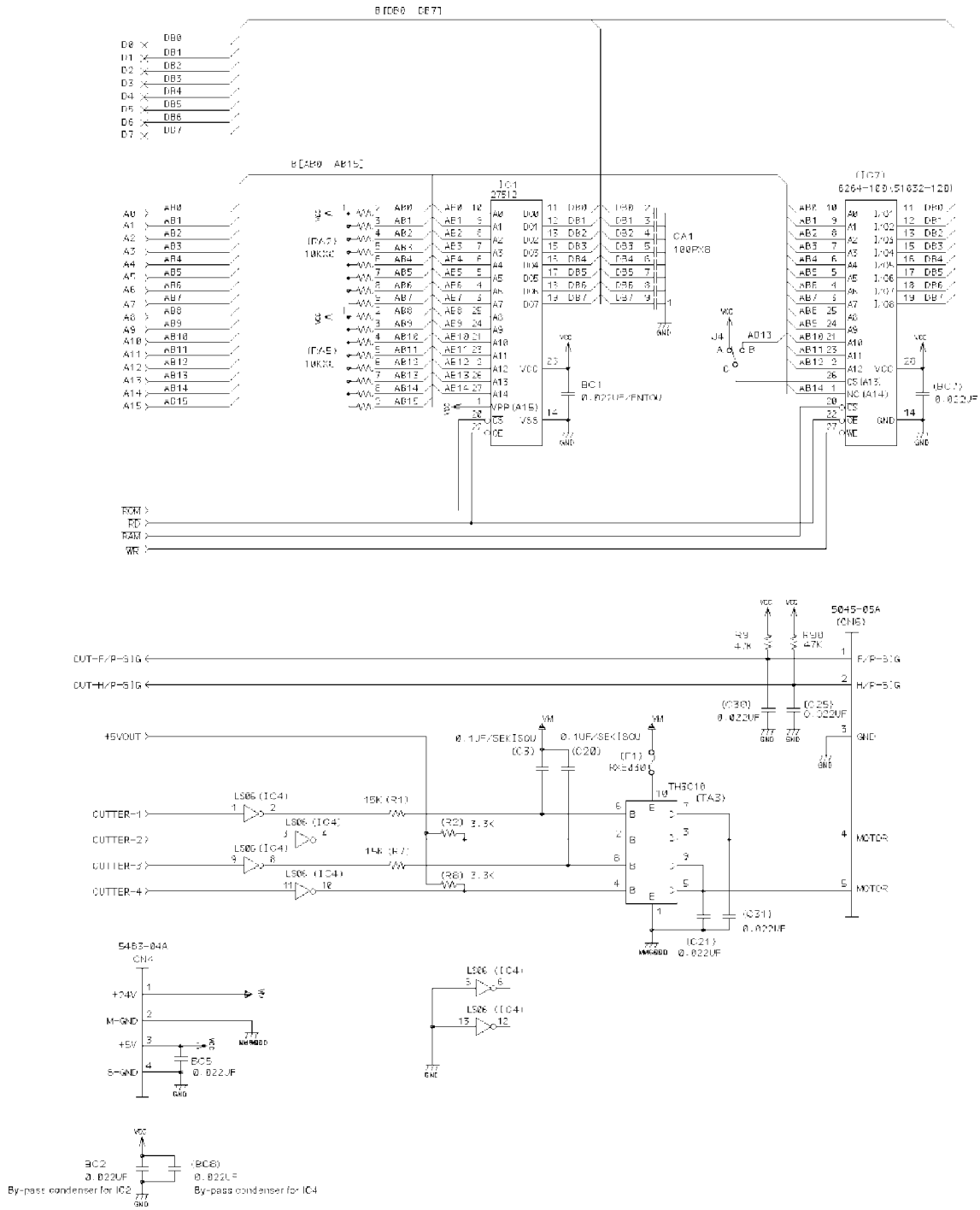
#1 Masked CPU : J3A OPEN, J3B Short  
 #2 Masked CPU : 10K mounted  
 #3 Chip resistor : J3A, J3B, J5, J6, J7

Main Logic Board (Parallel Interface) 1/3

# PARTS LIST



Main Logic Board (Parallel Interface) 2/3



Main Logic Board (Parallel Interface) 3/3

# PARTS LIST

## 6.5.2.2 Parts List

## Main Logic Board (Parallel Interface)

DRWG.NO.	REV.	PARTS NO.	PARTS NAME	Q'TY	REMARKS	RANK
IC1		08222026	EPROM 27256-150NS	1	SP2P.F.**	
IC2	*3	08210142	TTL IC 74LS05FP*TL	1		
	#3	08210126	TTL IC 74LS05FP*EL	1		
IC3		08240072	GATE ARRAY HG62E11R77FBSPII	1		
IC4					NOT MOUNTED :SP212/6	
		08210127	TTL IC 74LS06FP*EL	1	:SP242/246	
IC5					NOT USED	
IC6		08250018	CPU M37732S4AFP	1		
IC7					NOT MOUNTED	
IC8					NOT USED	
IC9		08200109	IC-RESET M51953BL	1		
R1					NOT MOUNTED :SP212/6	
	#3	06051535	RD RESISTOR 15 K-OHM 1/6W	1	:SP242/246	
R2					NOT MOUNTED :SP212/6	
	#3	06053324	RD RESISTOR 3.3 K-OHM 1/6W	1	:SP242/246	
R3		06055614	RD RESISTOR 560 OHM 1/6W	1		
R4					NOT MOUNTED	
R5		06051025	RD RESISTOR 1 K-OHM 1/6W	1		
R6		06051825	RD RESISTOR 1.8 K-OHM 1/6W	1		
R7					NOT MOUNTED :SP212/6	
	#3	06051535	RD RESISTOR 15 K-OHM 1/6W	1	:SP242/246	
R8					NOT MOUNTED :SP212/6	
	#3	06053324	RD RESISTOR 3.3 K-OHM 1/6W	1	:SP242/246	
R9	#3	06054734	RD RESISTOR 47 K-OHM 1/6W	1		
R10	#3	06054725	RD RESISTOR 4.7 K-OHM 1/6W	1		
R11		06051535	RD RESISTOR 15 K-OHM 1/6W	1		
R12-21					NOT USED	
R22		06055614	RD RESISTOR 560 OHM 1/6W	1		
R23					NOT MOUNTED	
R24		06053314	RD RESISTOR 330 OHM 1/6W	1		
R25-26		06051535	RD RESISTOR 15 K-OHM 1/6W	2		
R27					NOT USED	
R28-29		06051044	RD RESISTOR 100 K-OHM 1/6W	2		
R30	*3	06051034	RD RESISTOR 10 K-OHM 1/6W	1		
	#3				NOT USED	
R31-39		06053314	RD RESISTOR 330 OHM 1/6W	9		
R40	#3	06053314	RD RESISTOR 330 OHM 1/6W	1	:SP216/246	
R41-42		06054725	RD RESISTOR 4.7 K-OHM 1/6W	2		
R43		06052234	RD RESISTOR 22 K-OHM 1/6W	1		
R44		06055114	RD RESISTOR 510 OHM 1/6W	1		
R45	*3	06051034	RD RESISTOR 10 K-OHM 1/6W	1		
	#3				NOT USED	
R46		06055114	RD RESISTOR 510 OHM 1/6W	1		
R47	*3	06051034	RD RESISTOR 10 K-OHM 1/6W	1		
	#3				NOT USED	
R48		06055114	RD RESISTOR 510 OHM 1/6W	1		
R49		06052224	RD RESISTOR 2.2 K-OHM 1/6W	1		
R50		06051034	RD RESISTOR 10 K-OHM 1/6W	1		
R51		06251034	RN RESISTOR 10 K-OHM 1/6W	1		
R52		06054725	RD RESISTOR 4.7 K-OHM 1/6W	1		
R53		06051525	RD RESISTOR 1.5 K-OHM 1/6W	1		
R54		06054725	RD RESISTOR 4.7 K-OHM 1/6W	1		
R55-56		06054714	RD RESISTOR 470 OHM 1/6W	2		

# PARTS LIST

## Main Logic Board (Parallel Interface)

DRWG.NO.	REV.	PARTS NO.	PARTS NAME	Q'TY	REMARKS	RANK
R57-58		06054725	RD RESISTOR 4.7 K-OHM 1/6W	2		
R59-60		06051034	RD RESISTOR 10 K-OHM 1/6W	2		
R61		06054725	RD RESISTOR 4.7 K-OHM 1/6W	1		
R62		06051051	RD RESISTOR 1 M-OHM 1/6W	1		
R63		06052211	RD RESISTOR 220 OHM 1/6W	1		
R64-65		06054725	RD RESISTOR 4.7 K-OHM 1/6W	2		
R66		06051535	RD RESISTOR 15 K-OHM 1/6W	1		
R67-69					NOT USED	
R70-77		06054725	RD RESISTOR 4.7 K-OHM 1/6W	8		
R78		06051025	RD RESISTOR 1 K-OHM 1/6W	1		
R79		06051014	RD RESISTOR 100 OHM 1/6W	1		
R80-83					NOT USED	
R84		06051034	RD RESISTOR 10 K-OHM 1/6W	1		
R85-87					NOT USED	
R88	#3	06054725	RD RESISTOR 4.7 K-OHM 1/6W	1		
R89					NOT USED	
R90	#3	06054734	RD RESISTOR 47 K-OHM 1/6W	1		
R91-92					NOT MOUNTED	
C1					NOT MOUNTED	
C2		05154714	CERA. CAPA. 470PF 50V	1		
C3					NOT MOUNTED :SP212/6	
	#3	05151042	CERA. CAPA. 0.1UF 50V	1	:SP216/246	
C4-8					NOT USED	
C9-10					NOT MOUNTED	
C11-12					NOT USED	
C13		05151042	CERA. CAPA. 0.1UF 50V	1		
C14		05151033	CERA. CAPA. 0.01UF 50V	1		
C15		05152234	CERA. CAPA. 0.022UF 50V	1		
C16-17		05152225	CERA. CAPA. 2200PF 50V	2		
C18		05152234	CERA. CAPA. 0.022UF 50V	1		
C19	*1	05154714	CERA. CAPA. 470PF 50V	1		
	#1	05152234	CERA. CAPA. 0.022UF 50V	1		
C20					NOT MOUNTED :SP212/6	
	#3	05151042	CERA. CAPA. 0.1UF 50V	1	:SP242/246	
C21					NOT MOUNTED :SP212/6	
	#3	05152234	CERA. CAPA. 0.022UF 50V	1	:SP242/246	
C22-23					NOT MOUNTED	
C24		05152234	CERA. CAPA. 0.022UF 50V	1		
C25					NOT MOUNTED :SP212/6	
	#3	05152234	CERA. CAPA. 0.022UF 50V	1	:SP242/246	
C26		05152234	CERA. CAPA. 0.022UF 50V	1		
C27-28		05131044	CERA. CAPA. 0.1UF 25V	2		
C29					NOT USED	
C30-31					NOT MOUNTED :SP212/6	
	#3	05152234	CERA. CAPA. 0.022UF 50V	2	:SP242/246	
C32-33		05152234	CERA. CAPA. 0.022UF 50V	2		
BC1		05532234	CAPACITOR 0.022UF 25V	1		
BC2-5		05152234	CERA. CAPA. 0.022UF 50V	4		
BC6					NOT USED	
BC7					NOT MOUNTED	
BC8					NOT MOUNTED :SP212/6	
	#3	05152234	CERA. CAPA. 0.022UF 50V	1	:SP242/246	
BC9		05152234	CERA. CAPA. 0.022UF 50V	1		

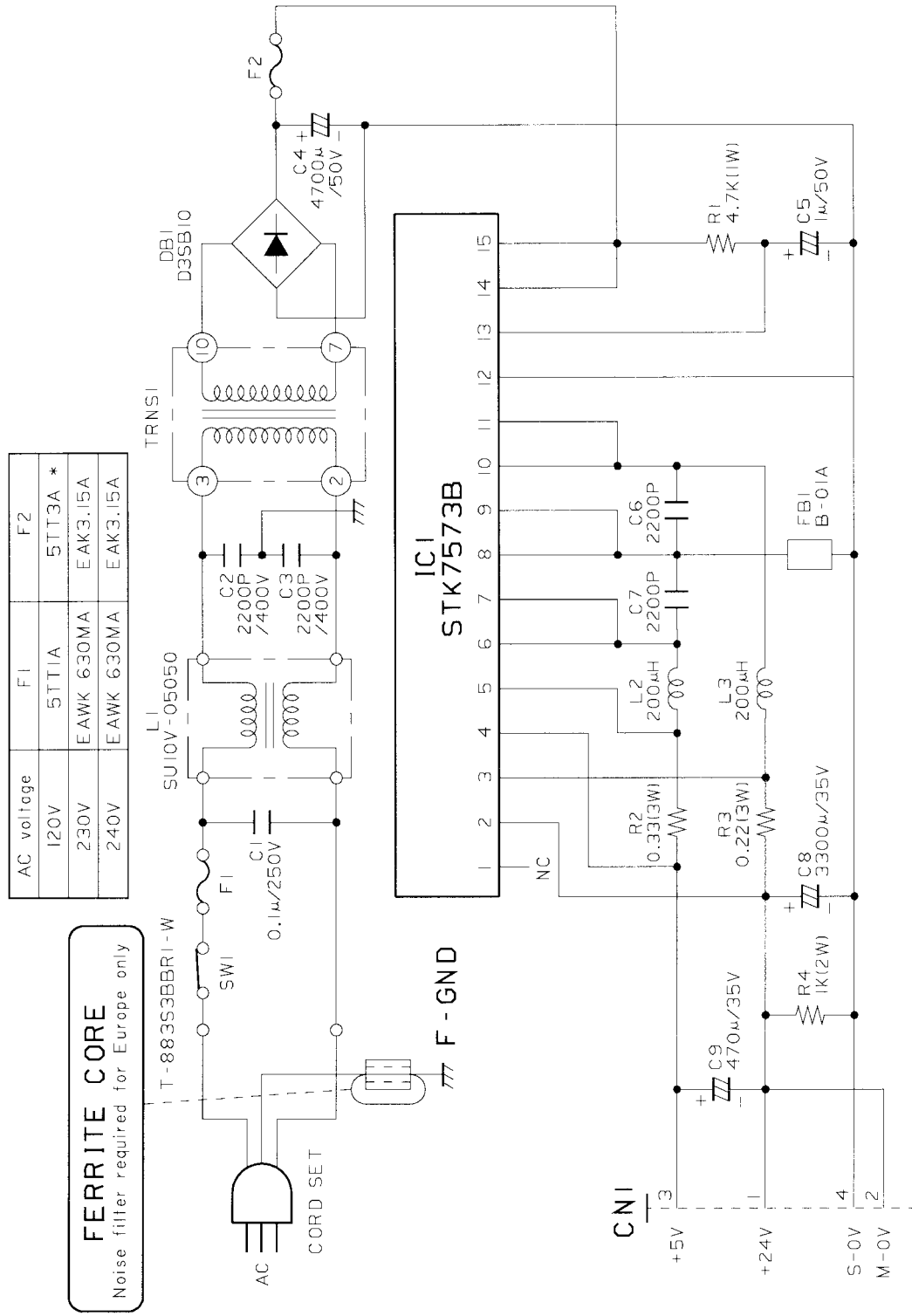
# PARTS LIST

## Main Logic Board (Parallel Interface)

DRWG.NO.	REV.	PARTS NO.	PARTS NAME	Q'TY	REMARKS	RANK
TA1-2	*2	07650048	TRANSISTOR ARRAY STA471A=S	2		
	#2	07650056	TRANSISTOR ARRAY UPA1428AH	2		
TA3					NOT MOUNTED :SP212/6	
	#3	07650037	TRANSISTOR ARRAY TH3C10	1	:SP242/246	
TR1		07320111	TRANSISTOR 2SD2011	1		
TR2		07227853	TRANSISTOR 2SC1740SE	1		
TR3		07009502	TRANSISTOR 2SA950	1		
TR4-10					NOT USED	
TR11	#1	07320101	TRANSISTOR 2SD2010	1	SP216/246	
TR12					NOT USED	
TR13		07320101	TRANSISTOR 2SD2010	1		
REG1		08202011	IC-REG UPC7824	1		
D1-2		08000040	DIODE DSM1D1	2		
D3	#1	08000040	DIODE DSM1D1	1	SP216/246	
D4		08000040	DIODE DSM1D1	1		
LED1-2		08300136	LED SLZ-390B	2		
RA1		06584723	RESIS. ARRAY 4.7K-OHM 1/8W 8EL	1		
RA2					NOT MOUNTED	
RA3		06581036	RESIS. ARRAY 10 K-OHM 1/8W 5EL	1		
RA4		06584723	RESIS. ARRAY 4.7K-OHM 1/8W 8EL	1		
RA5					NOT MOUNTED	
RA6					NOT USED	
RA7		06581023	RESIS. ARRAY 1 K-OHM 1/8W 4EL	1		
RA8		06581026	RESIS. ARRAY 1 K-OHM 1/8W 7EL	1		
RA9		06581030	RESIS. ARRAY 10 K-OHM 1/8W 3EL	1		
RA10		06581824	RESIS. ARRAY 1.8K-OHM 1/8W 6EL	1		
R11		06581032	RESIS. ARRAY 10 K-OHM 1/8W 8EL	1		
CA1		05651012	CAPA. ARRAY 100PF 50V 8EL	1		
CA2-3		05652212	CAPA. ARRAY 220PF 50V 8EL	2		
CA4		05651012	CAPA. ARRAY 100PF 50V 8EL	1		
CN1		09100582	CONNECTOR 57GE-40360-751	1		
CN2		09100567	CONNECTOR 95003-2661	1		
CN3		09100495	CONNECTOR HLEM23S-1	1		
CN4		09100317	CONNECTOR 5483-04A	1		
CN5					NOT USED	
CN6					NOT MOUNTED :SP212/6	
	#3	09100038	CONNECTOR 5045-05A	1	:SP242/246	
DSW1		09090034	DIP SWITCH KSS08-1	1		
SW1-2		09010055	PUSH SWITCH SKHHLN	2		
X1		09250047	CERA. OSCILLATOR CST8.0MTW	1		
L1-4		09990705	BEADS INDUCTOR B01-RT	4		
JA3	#3	06750004	CHIP RESISTOR 0 OHM 1/10W	1		
F1					NOT MOUNTED :SP212/6	
	#3	09991023	FUSE RXE030*	1	:SP242/246	

## 6.6 Power Supply Unit

### 6.6.1 Circuit Diagram



# PARTS LIST

## 6.6.2 Parts List

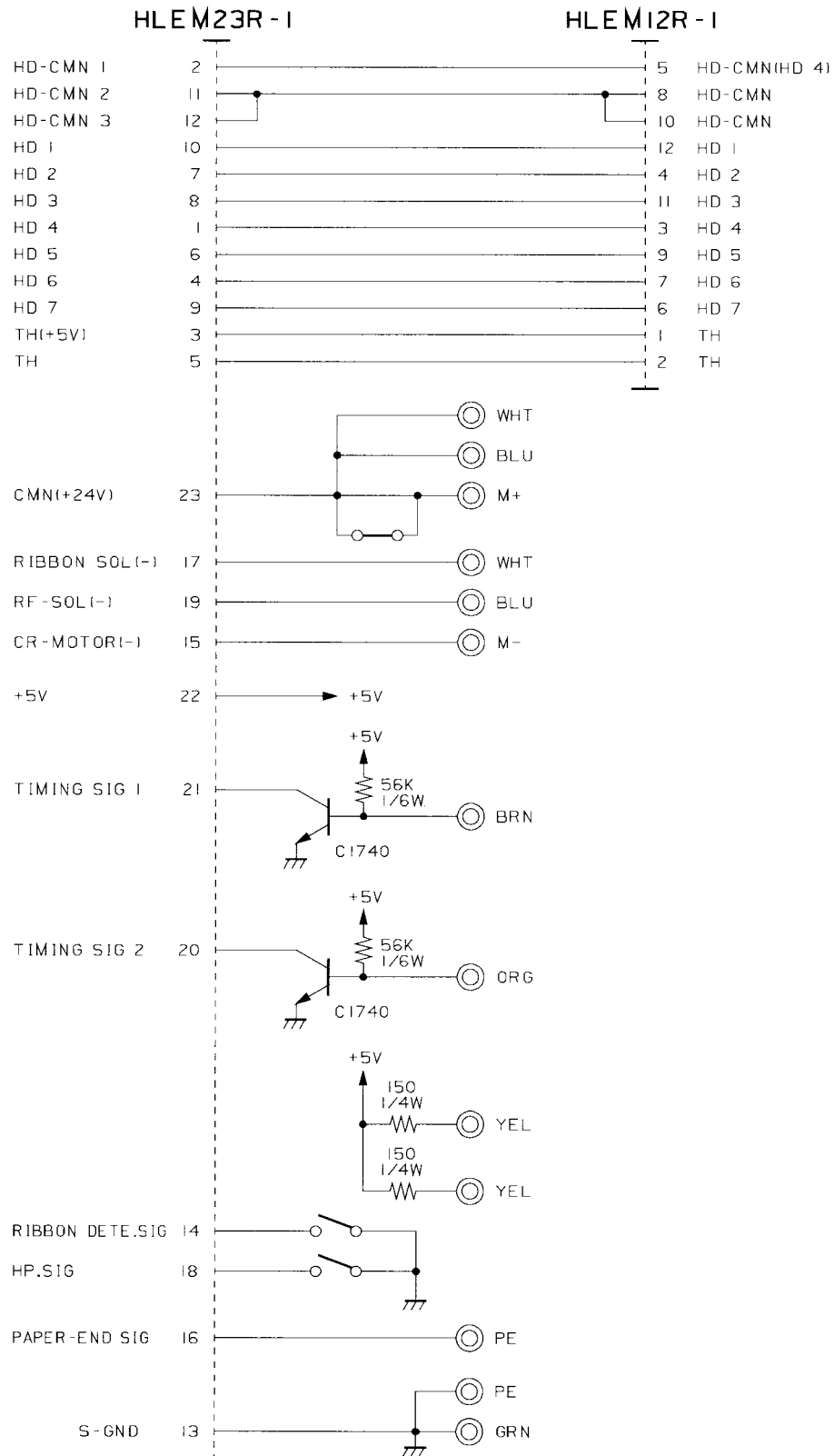
## Power Supply Unit

DRWG.NO.	REV.	PARTS NO.	PARTS NAME	Q'TY	REMARKS	RANK
IC1		08202025	IC-REG 7573B	1		
DB1	*2	08990220	DIODE STACK D3SB10	1		
	#2	08990227	DIODE STACK D3SB20	1		
R1		06214721	RN RESISTOR 4.7 K-OHM 1W	1		
R2		06230031	RN RESISTOR 0.33 OHM 3W	1		
R3		06230021	RN RESISTOR 0.22 OHM 3W	1		
R4		06201022	RN RESISTOR 1 K-OHM 2W	1		
C1		05291045	FILM CAPA. 0.1UF 275V	1		
C2-3		05192224	CERA. CAPA. 2200PF 400V	2		
C4		05054782	CHEM. CAPA. 4700UF 50V	1		
C5		05051058	CHEM. CAPA. 1UF 50V	1		
C6-7		05152223	CERA. CAPA. 2200PF 50V	2		
C8		05043385	CHEM. CAPA. 3300UF 35V	1		
C9		05044771	CHEM. CAPA. 470UF 35V	1		
SW1	*3	09030026	SEESAW SWITCH T-883S3BBR1-W	1		
	#3	09030036	SEESAW SWITCH SF-W1P1A03BB2	1		
L1		09251106	LINE FILTER SU10V-05050	1		
L2		09251037	CHOKE COIL NM-1-200	1		
L3		09251036	CHOKE COIL NM-16-300	1		
F1		09990058	FUSE 5TT1A 250V	1	FOR US	S
		09990021	FUSE EAWK630MA 250V	1	FOR EC,UK,AS	S
F2	*2	09990054	FUSE 5TT3A 125V	1	FOR US,UK(240V)	S
	#2	09991011	FUSE 5TT3A 250V	1	FOR US,UK(240V),AS	S
		09990050	FUSE EAK3.15A 250V	1	FOR EC	S
	#1	09990051	FUSE EAK5A 250V	1	FOR UK(230V)	S
CN1		80703850	CABLE UNIT 4X120TT SP300II	1		
TRNS1		30780010	TRANSFORMER 120V SP200 US	1	FOR US	
		30780030	TRANSFORMER 230V SP200 EC	1	FOR EC,UK(230V)	
		30780040	TRANSFORMER 240V SP200 UK	1	FOR UK(240V)	
	#2	30780230	TRANSFORMER 230V SP200W EC	1	FOR AS	
FB1	*2	09990703	BEADS INDUCTOR B-01A	1		
	#2	09990706	BEADS INDUCTOR B-01AT	1		
-		09110090	CORD SET US-PN SP300	1	FOR US	
		09110129	CORD SET EC-PN SP300II	1	FOR EC	
	*3	09110067	CORD SET UK-PN LC	1	FOR UK	
	#3	09110172	CORD SET UK-PN SP300	1	FOR UK	
		09110068	CORD SET AS-PN LC	1	FOR AS	
		04991204	FASTENER T18S	1	FOR US,UK(240V),AS	
		04991204	FASTENER T18S	2	FOR EC,UK(230V)	
		82911071	RADIATION PLATE SP312	1		
		01903087	SCREW TAT 3-14	1		
		09990023	FUSE HOLDER UF-0033	1		
		09990708	FERRITE CORE ESD-R-16C	1	FOR EC,UK(230V)	
		09992307	HEAT-SHRINK TUBE F2-18X30	1	FOR EC,UK(230V)	



## 6.7 Terminal Board

### 6.7.1 Circuit Diagram



# PARTS LIST

---

## 6.7.2 Parts List

DRWG.NO.	REV.	PARTS NO.	PARTS NAME	Q'TY	REMARKS	RANK
-	*1	06041518	RD RESISTOR 150 OHM 1/4W	2		
	#1	06041515	RD RESISTOR 150 OHM 1/4W	2		
		06055634	RD RESISTOR 56 K-OHM 1/6W	2		
		07227853	TRANSISTOR 2SC1740SE	2		
		09100568	CONNECTOR HLEM23R	1		
		09100569	CONNECTOR HLEM12R	1		
	*3	09040020	MICRO SWITCH MPU10200MLA1	1		
	#3	09040026	MICRO SWITCH MPU10200MLA2	1		
	#1	09040024	MICRO SWITCH MPU10101MLA0	1	SP216/246	



**ELECTRONIC PRODUCTS DIVISION**  
**STAR MICRONICS CO., LTD.**  
536 Nanatsushinya,  
Shimizu, Shizuoka, 424-0066 Japan  
Tel : 0543-47-0112  
Fax : 0543-48-5271

Please access the following URL  
[http://www.star-micronics.co.jp/service/t\\_mans\\_e.htm](http://www.star-micronics.co.jp/service/t_mans_e.htm)  
for the latest revision of the manual.

Distributed by

---

**OVERSEAS SUBSIDIARY COMPANIES**  
**STAR MICRONICS AMERICA, INC.**  
70-D Ethel Road West,  
Piscataway, NJ 08854 U.S.A  
Tel : 732-572-9512  
Fax : 732-572-5095

**STAR MICRONICS U.K. LTD.**  
Star House, Peregrine Business  
Park, Gomm Road, High Wycombe,  
Bucks, HP13 7DL, U.K.  
Tel : 01494-471111  
Fax : 01494-473333